

Drying Tumblers

Stack 30 Pound Capacity
Models Through Serial No. 0602004143
Refer to Page 5 for Model Numbers

Parts



www.alliancelaundry.com

Part No. 70284401R13
August 2013

Table of Contents

Title	Page
Parts Ordering Information.....	3
Serial Plate Location	3
Model Identification	5
Electronic Coin Control	6
Electromechanical Coin Drop Components	8
Coin Meter	10
Manual Dual Timer Controls	12
Electronic Coin Drop Components for EDC Models	14
Card Reader Control Area for EDC Models	16
DX4 Control Components	18
Coin Drop Components for MDC Models.....	20
MDC Models with BY Control Suffix	22
Coin Drops	24
Electronic Coin Drop Components.....	26
Coin Drop Components for NetMaster Models	28
Card Reader Components for NetMaster Models.....	30
Network Board for NetMaster Models.....	32
Communication Board for NetMaster Models	34
Door and Hinge Components	36
Upper Front Panel Components	38
Lower Front Panel Components	40
Emergency Stop Components and False Front Kits.....	42
Lint Drawer Components	44
Roller Bearing and Roller Support for Models Through Serial No. 0310xxxxx	46
Upper Cylinder Support Components	48
Lower Cylinder Support Components	50
Cylinder Components	52
Drive Motor Components	54
Blower and Exhaust Components.....	56
Airflow Switch.....	58
Gas Burner Components	60
Secondary Stove Limit	62
Gas Valve and Piping - Non-CE and Non-Australian Gas Models.....	64
Gas Valve and Piping - CE and Australian Gas Models	66
Electric Heater Components	68
Steam Heater Components	70
Control Tray - Non-CE Gas Models	72
Control Tray - Non-CE Steam Models	74
Control Tray - Non-CE Electric Models	76
Control Tray - CE Gas Models	78
Control Tray - CE Steam Models	80

© Copyright 2013, Alliance Laundry Systems LLC

All rights reserved. No part of the contents of this book may be reproduced or transmitted in any form or by any means without the expressed written consent of the publisher.

Control Tray - H, P and S CE Electric Models Through Serial No. 0112006348 82
Control Tray - C, D, H, P and S CE Electric Models Starting Serial No. 0112006348 84
Parts Index..... 87

Parts Ordering Information

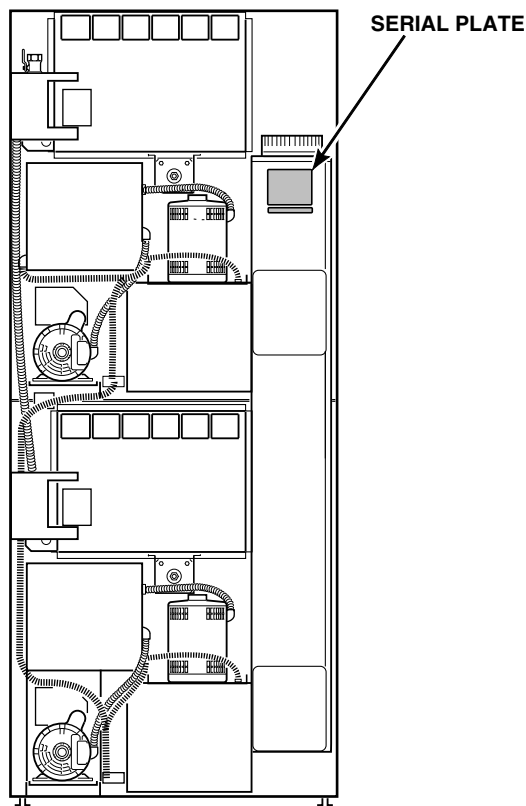
If literature or replacement parts are required, contact the source from whom the machine was purchased or contact Alliance Laundry Systems at (920) 748-3950 for the name and address of the nearest authorized parts distributor.

For technical assistance, call either of the numbers listed below:

(920) 748-3121 Ripon, Wisconsin
+32 56 41 20 54 Wevelgem, Belgium

Serial Plate Location

When calling or writing about your product, be sure to mention model and serial numbers. Model and serial numbers are located on serial plate(s) as shown.



TMB1974N_70284401

Model Identification

Information in this manual is applicable to these tumbler models:

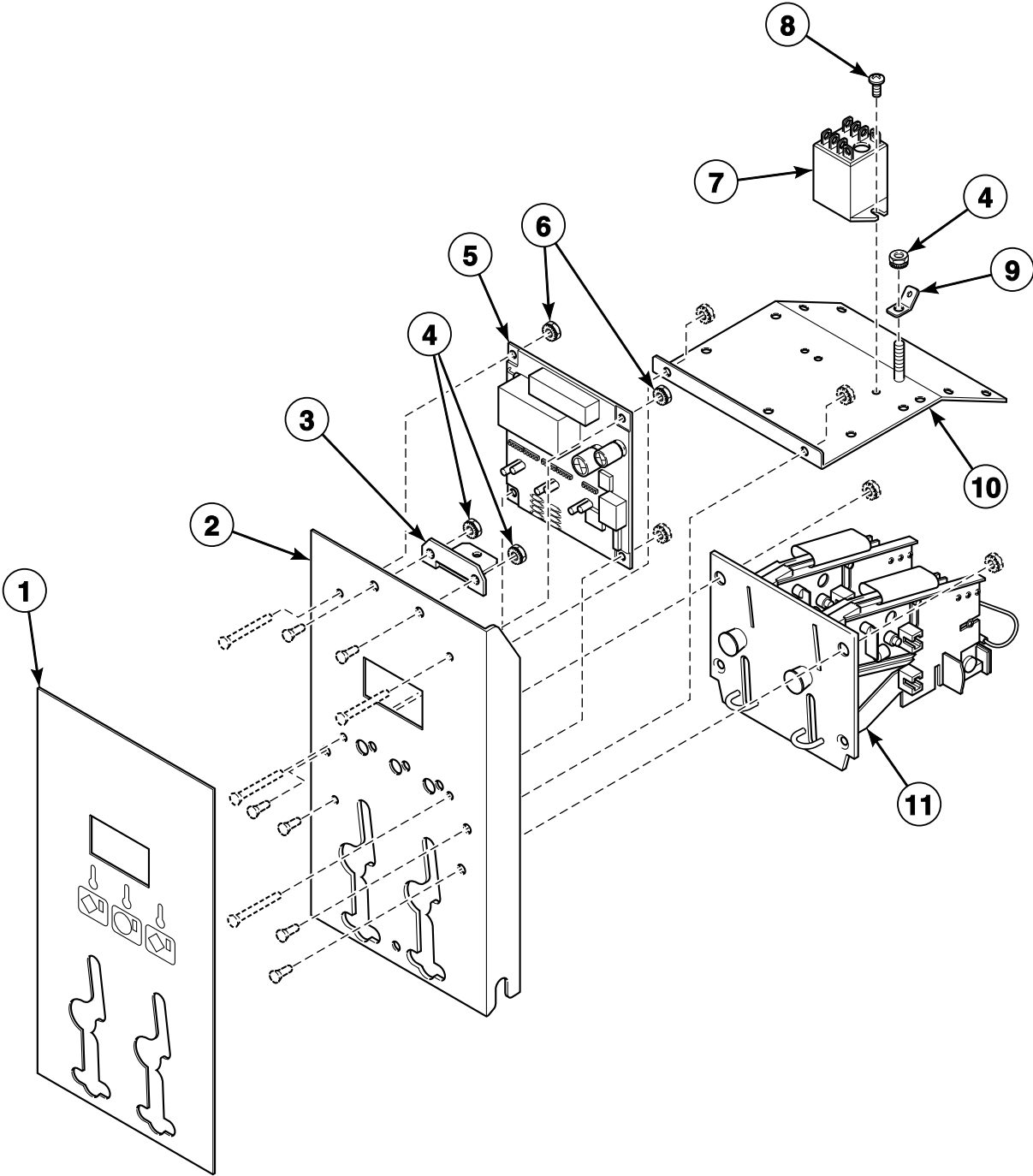
CHD30STE2-CTT30E	HAT30L	PAT30L
CHD30STE2-CUT30E	HAT30N	PAT30N
CHD30STG2-CAT30L	HTT30D	PTT30E
CHD30STG2-CAT30N	HTT30E	PTT30L
CHD30STG2-CTT30L	HTT30L	PTT30N
CHD30STG2-CTT30N	HTT30N	PTT30S
CHD30STG2-CUT30L	HTT30S	PUT30E
CHD30STG2-CUT30N	HUT30E	PUT30L
CHD30STS2-CTT30S	HUT30L	PUT30N
CHD30STS2-CUT30S	HUT30N	PUT30S
DRST30E2-BTT30E	HUT30S	SAT30L
DRST30E2-BUT30E	LTT30L	SAT30N
DRST30G2-BAT30L	LTT30N	STT30E
DRST30G2-BAT30N	MTT30N	STT30L
DRST30G2-BTT30L	NTT30N	STT30N
DRST30G2-BTT30N		STT30S
DRST30G2-BUT30L		SUT30E
DRST30G2-BUT30N		SUT30L
DRST30S2-BTT30S		SUT30N
DRST30S2-BUT30S		SUT30S
IPD30STE2-ITT30E		
IPD30STG2-ITT30L		
IPD30STG2-ITT30N		
IPD30STS2-ITT30S		

Control Suffixes:

3O - DX4 OPL	CD - rotary coin drop	NC - NetMaster coin
3V - DX4 vended	CX - prep for coin	NR - NetMaster card
3X - DX4 prep for coin	CY - prep for card	NX - NetMaster, prep for coin
BC - basic electronic, coin	EC - electronic coin	NY - NetMaster, prep for card
BL - basic electronic, central pay	EP - electronic card reader	ZC - NetMaster network, coin
BU - basic electronic, prep card-open	EX - electronic coin ready	ZR - NetMaster network, card
BX - basic electronic, prep for coin	EY - electronic card ready	ZX - NetMaster network, prep for coin
BY - basic electronic, prep for card	MT - manual timer	ZY - NetMaster network, prep for card

Electronic Coin Control

C, D and I Models with 30 Control Suffix



TMB2048P_70284401

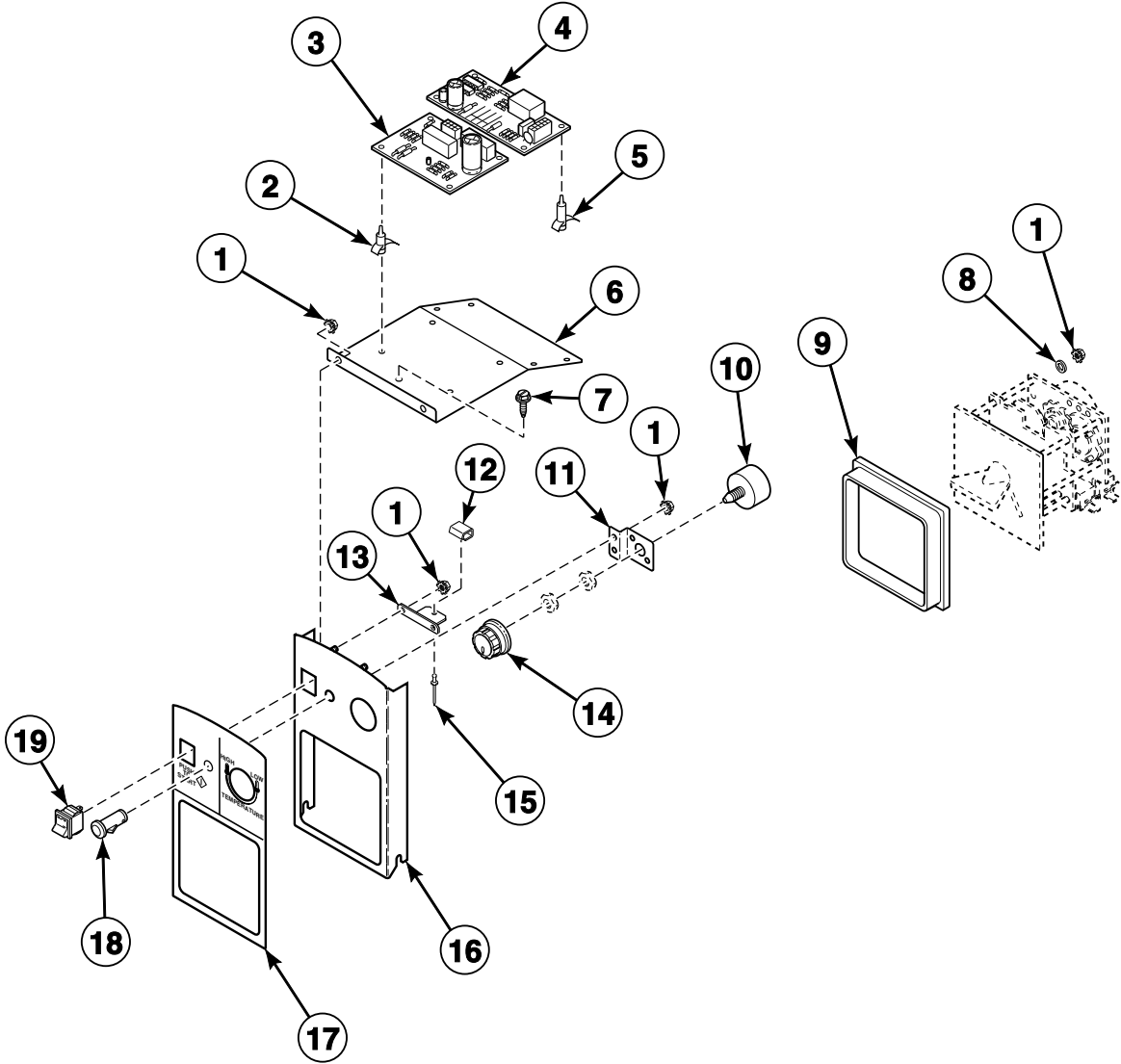
Electronic Coin Control

REF	PART NO.	DESCRIPTION	COMMENTS
1	70279201	Graphic Overlay	Single
	70279101	Graphic Overlay	OPL
	70279202	Graphic Overlay	Dual
2	70279301P	Control Plate Kit	Includes studs
3	70119801	Latch Mounting Bracket	
4	70054	Nut	
5	N/A	Electronic Control	
6	29787	Nut	
7	M412534	Relay	CE models
8	M402797	Screw	
9	00177	Male Tab Terminal	
10	70288401	Temperature Bracket Assembly	CE models
11	38462P	Coin Drop Assembly	Token; 118-1
	38463	Coin Drop Assembly	Token; 118-5
	38464P	Coin Drop Assembly	Canada; .25
	70441602	Coin Drop Assembly	Canada; .25 and 1.00
	38467	Coin Drop Assembly	Australia; .20 and 1.00
	70441601P	Coin Drop	U.S.; \$.25; Single
	70256402P	Coin Drop	U.S.; \$.25 and 1.00; Dual
	38519	Coin Drop Assembly	Japan; 100 and 500 yen
	38475	Coin Drop Assembly	Japan; 100 yen
	38521	Coin Drop Assembly	Korea; 100 and 500 won
	N/A	Coin Drop Assembly	New Zealand; .20 and 1.00
	38963P	Coin Drop	Token; 118-16
	N/A	Coin Drop Assembly	Dual; Taiwan
	CK077	Coin Drop Kit	Taiwan; 10NT
	39157	Coin Drop Assembly	Israel; Shekel
	N/A	Coin Drop Assembly	5 and 10 krone
	N/A	Coin Drop	Denmark; 1 krone and 5 krone
	38472	Coin Drop Assembly	England; 20 pence and 1 pound
	70283102	Coin Drop Assembly	Europe; .20 euro and .50 euro
	210195	Coin Drop Assembly	Europe; .20 euro and 1.00 euro
210196	Coin Drop Assembly	Europe; .50 euro and 1.00 euro	
39748	Coin Drop	Token; Jeton 08 MS	

N/A = Part no longer available

Electromechanical Coin Drop Components

Models with CD Control Suffix



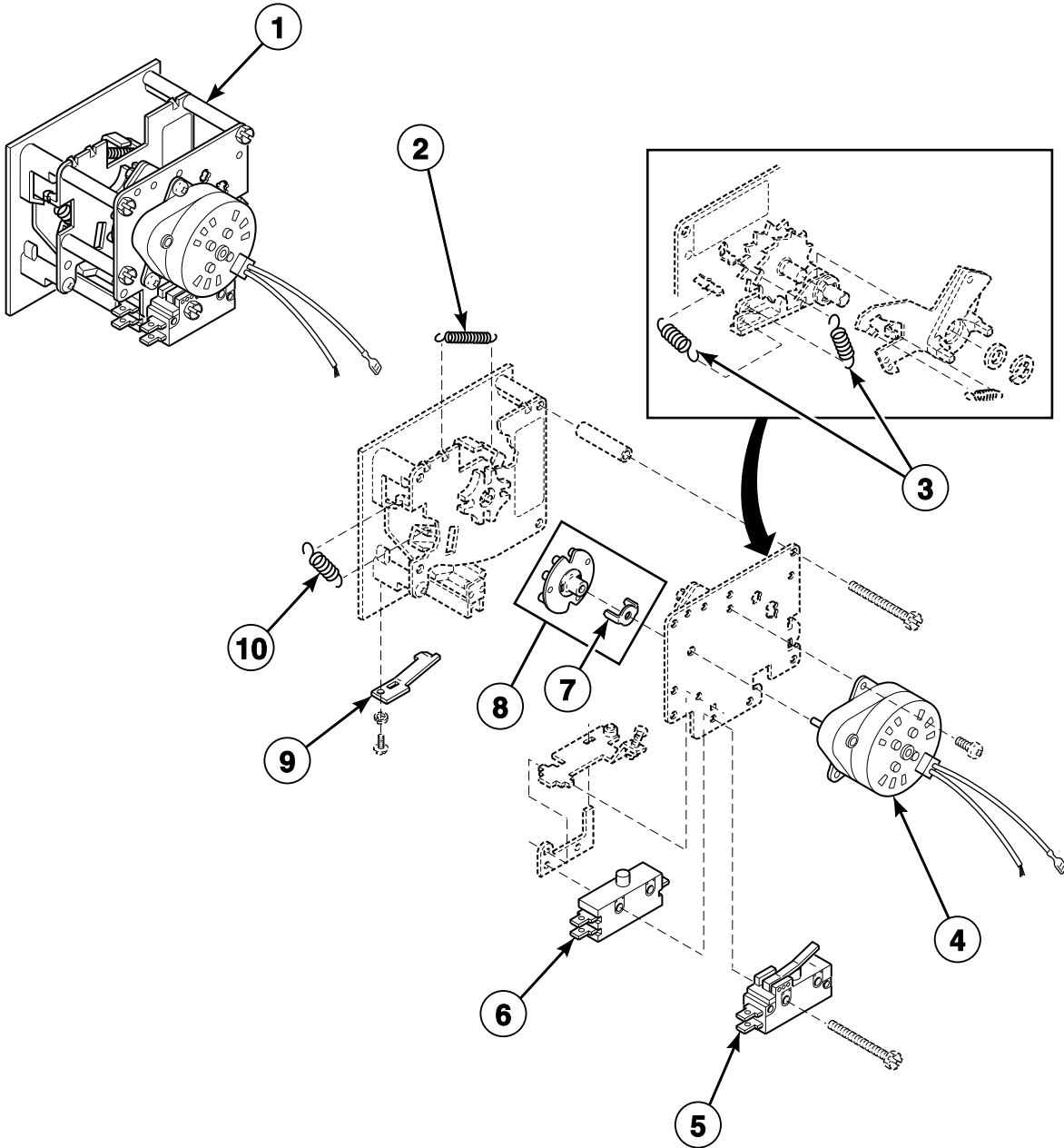
TMB2339P_70284401

Electromechanical Coin Drop Components

REF	PART NO.	DESCRIPTION	COMMENTS
	M4723P3	Coin Meter Control Kit	H models
	70084103	Jumper Configuration Assembly	
	70236401P	Control Panel Harness Assembly	
1	70054	Nut	9 required
2	70178801	Circuit Board Support	4 required
3	70175301P	Timer Control Assembly	
4	431347P	Thermostat Module	
5	34896	Circuit Board Support	4 required
6	70179001	Mounting Bracket	
7	430497	Screw	Ground
8	M405535	Washer	3 required
9	70061701	Rotary Drop Shroud	
10	70475001P	Temperature Kit	Potentiometer; Includes nuts
11	70108001	Potentiometer Mounting Bracket	
12	431318	Control Door Latch	
13	70119801	Latch Mounting Bracket	
14	44020502	Knob	H models; Temperature
	44104601	Temperature Knob	L, M, N, P and S models
	44020503	Temperature Knob	C, D and I models
15	M400003	Pop Rivet	1/8 inch
16	70175908	Control Door Assembly	H models; Includes studs
	70175907	Control Door Assembly	All other models; Includes studs
17	70115501	Overlay	HA and HT models; Text
	70136801	Overlay	HU models; Icon
	70128201	Overlay	All other models
18	70082201	Indicator Light	
19	70108501	Start Switch	

Coin Meter

Models with CD Control Suffix



T022P_70284401

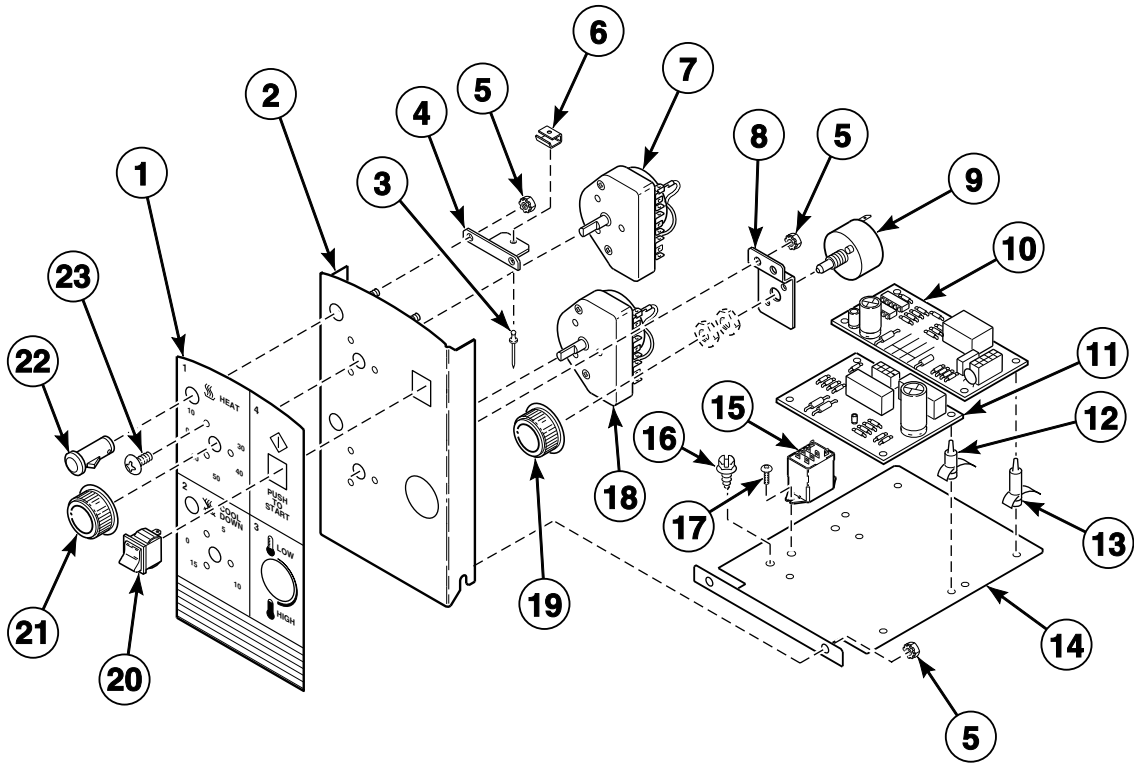
Coin Meter

REF	PART NO.	DESCRIPTION	COMMENTS
1	N/A	Coin Meter	Australia; .20/5 minutes
	70112501P	Coin Meter	Australia; 1.00/15 minutes
	70112701P	Coin Meter	U.S.; \$.25/10 minutes; 60 Hertz
	70138401P	Coin Meter	U.S.; \$.25/10 minutes; 50 Hertz
	70137301P	Coin Meter	Token; Standard 118-1; 60 Hertz; 10 minutes
	70137401P	Coin Meter	Token; Standard 118-5; 60 Hertz; 10 minutes
	70151301	Coin Meter	South Africa; .20/10 minutes
	N/A	Coin Meter	England; 20 pence/7.5 minutes
	N/A	Coin Meter	Denmark; 1 krone/5 minutes
	M412546	Coin Meter	Token; Standard 118-1; 50 Hertz; 10 minutes
	N/A	Coin Meter	Token; Standard 118-5/10; 50 Hertz; 10 minutes
	70262401	Coin Meter	Euro; .20/5 minutes
	N/A	Coin Meter	Euro; .50/10 minutes
	2	M405138B	Return Spring
3	M402455	Coil Spring	
4	70218201	Timer Motor	60 Hertz; 1 revolution/hour
	70218301	Timer Motor	50 Hertz; 2 revolution/hour
5	M400947	Switch	Heat; Switch "B"
6	N/A	Single Throw Switch	Run; Switch "A"
7	M400754	Coin Meter Drive	
8	M400732P	Timing Cam	10 pin; 6 minutes for 60 Hertz; 3 minutes for 50 Hertz
	M400733P	Timing Cam	12 pin; 5 minutes for 60 Hertz; 2.5 minutes for 50 Hertz
	M400734P	Timing Cam	2 pin; 30 minutes for 60 Hertz; 15 minutes for 50 Hertz
	M400735P	Timing Cam	3 pin; 20 minutes for 60 Hertz; 10 minutes for 50 Hertz
	M400736P	Timing Cam	4 pin; 15 minutes for 60 Hertz; 7.5 minutes for 50 Hertz
	M400737P	Timing Cam	5 pin; 12 minutes for 60 Hertz; 6 minutes for 50 Hertz
	M400738P	Timing Cam	6 pin; 10 minutes for 60 Hertz; 5 minutes for 50 Hertz
	M400739P	Timing Cam	7 pin; 8.5 minutes for 60 Hertz; 4.25 minutes for 50 Hertz
	M400740P	Timing Cam	8 pin; 7.5 minutes for 60 Hertz; 3.75 minutes for 50 Hertz
	M400741P	Timing Cam	9 pin; 6.6 minutes for 60 Hertz; 3.3 minutes for 50 Hertz
9	M406297	Coin Retainer Spring	
10	M405138A	Coin Carrier Spring	

N/A = Part no longer available

Manual Dual Timer Controls

Models with MT Control Suffix



TMB2029P_70284401

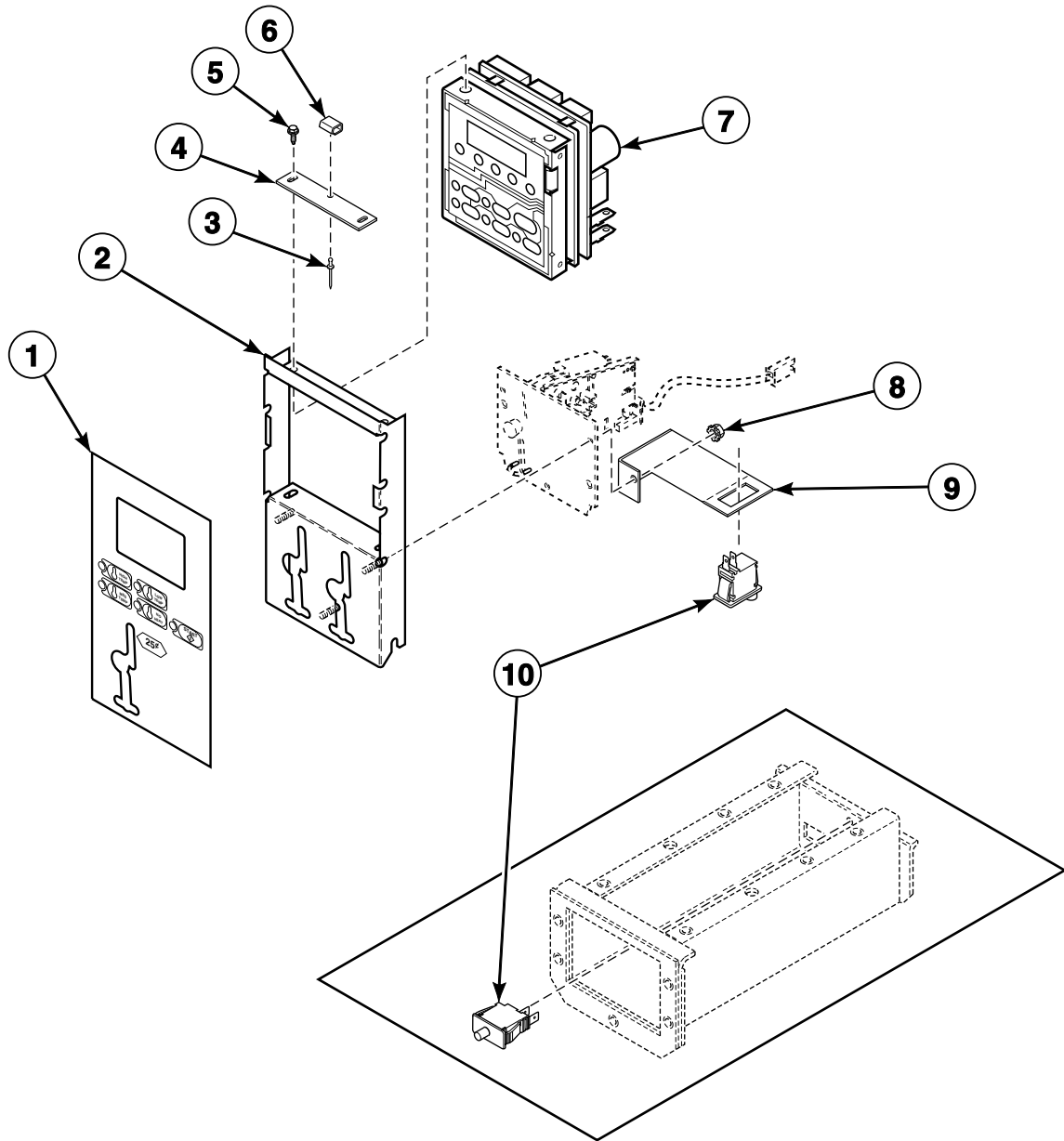
Manual Dual Timer Controls

REF	PART NO.	DESCRIPTION	COMMENTS
	M4724P3	Manual Timer Control Kit	H models
	M4694P3	Manual Timer Control Kit	All other models
	70084103	Jumper Configuration Assembly	
	70236301	Control Panel Harness Assembly	
1	70114401	Overlay	H models; Text
	70135601	Overlay	H models; Icon
	70128101	Overlay	C, D, I, L, S and Y models; Text
	N/A	Overlay	S models; Icon
	70129901	Overlay	P models; Upper
	N/A	Overlay	P models; Lower
	70135401	Overlay	C, D, I, L and S models; Icon
2	70175906	Control Door Assembly	H models; Includes studs
	70175905	Control Door Assembly	All other models; Includes studs
3	M400003	Pop Rivet	
4	70119801	Latch Mounting Bracket	
5	70054	Nut	6 required
6	431318	Control Door Latch	
7	N/A	Timer	Heat; 50 Hertz; 60 minute
	70131701P	Timer	Heat; 60 Hertz; 60 minute
8	70108001	Potentiometer Mounting Bracket	
9	70475001P	Temperature Kit	Potentiometer; Includes nuts
10	431347P	Thermostat Module	
11	70175301P	Timer Control Assembly	
12	70178801	Circuit Board Support	4 required
13	34896	Circuit Board Support	4 required
14	70179101	Mounting Bracket	
15	M412534	Relay	2 required per control
16	430497	Screw	
17	M402797	Screw	
18	M412079P	Timer	Cooling; 50 Hertz; 15 minute
	70131801P	Timer	Cooling; 60 Hertz; 15 minute
19	44020502	Knob	H models; Temperature
	44104601	Temperature Knob	L, P and S models
	44020503	Temperature Knob	C, D and I models
20	70108501	Start Switch	
21	M410927	Knob	H models; Timer
	70082101	Timer Knob	L, P and S models
	M400773	Knob	C, D and I models
22	70082201	Indicator Light	
23	44041301	Screw	3 required per timer

N/A = Part no longer available

Electronic Coin Drop Components for EDC Models

H, L, N, P and S Models with EC and EX Control Suffixes



TMB2341P_70284401

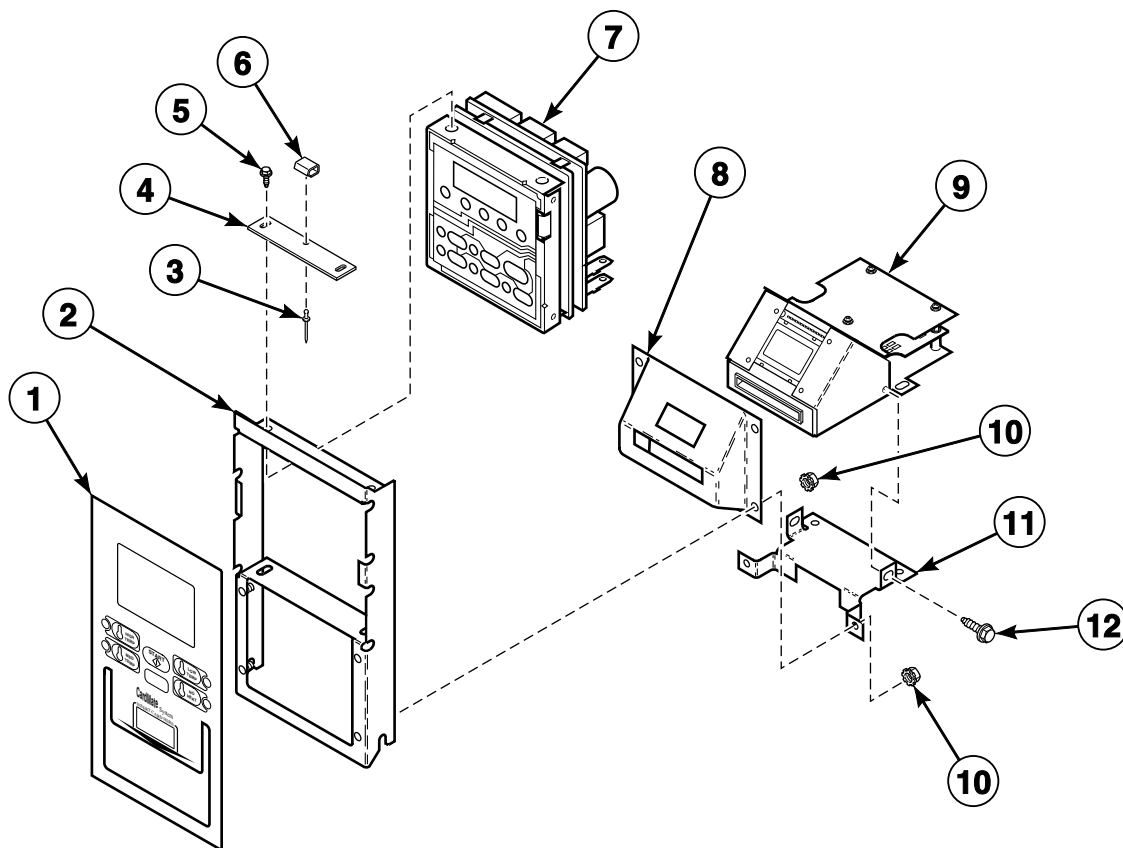
Electronic Coin Drop Components for EDC Models

REF	PART NO.	DESCRIPTION	COMMENTS
	CK090	Coin Drop Kit	Converts single U.S. \$.25 drops to dual drops; \$1.00
	38571	Multiplier Assembly	
	431611	Multiplier Harness Assembly	Dual drop
	M4691P3	Electronic Control Kit	L, N, PT and ST models
	M4692P3	Electronic Control Kit	PA, PU, SA and SU models
	M4721P3	Electronic Control Kit	HT models
	M4722P3	Electronic Control Kit	HA and HU models
	70236501P	Control Wire Harness Assembly	HT, L, N, PT and ST models
	70084203	Jumper Calibration Assembly	
	70055801P	Control Harness Assembly	Control panel to main harness
	70082701P	Control Panel Harness Assembly	Control panel to main harness
	70134401	Remote Interface Harness Assembly	
1	70113601	Overlay	L, N, SA and ST models; Text; Single
	70113901	Overlay	HT models; Text with infrared; Single
	70135501	Overlay	SU models; Icon; Single
	70135701	Overlay	HU models; Icon with infrared; Single
	70136101	Overlay	HT models; Text non-infrared; Single
	70217001P	Dual Overlay Kit	S models; Text; Dual
	70217101P	Dual Overlay Kit	S models; Icon; Dual
	70217201P	Dual Overlay Kit	H models; Text; Dual
	70217301P	Dual Overlay Kit	H models; Icon; Dual
	70129301	Overlay	P models; Upper
	70129401	Overlay	P models; Lower
	70129501	Overlay	P models; Upper; Insert for single coin drop
	70129601	Overlay	P models; Upper; Insert for dual coin drop
	N/A	Overlay	P models; Lower; Insert for single coin drop
	70129801	Overlay	P models; Lower; Insert for dual coin drop
2	70175901	Control Door Assembly	L, N, P and S models; Includes studs
	70175902	Control Door Assembly	H models; Includes studs
3	M400003	Pop Rivet	
4	N/A	Latch Mounting Bracket	
5	501524	Screw	4 required
6	431318	Control Door Latch	Requires item 3
7	M414049P	Control Kit	Includes tape; 24 Volt
8	70054	Nut	3 required
9	70292601	Audit Switch Bracket	
10	70413301	Pushbutton Switch	

N/A = Part no longer available

Card Reader Control Area for EDC Models

H, N, P and S Models with EY Control Suffix



TMB2342P_70284401

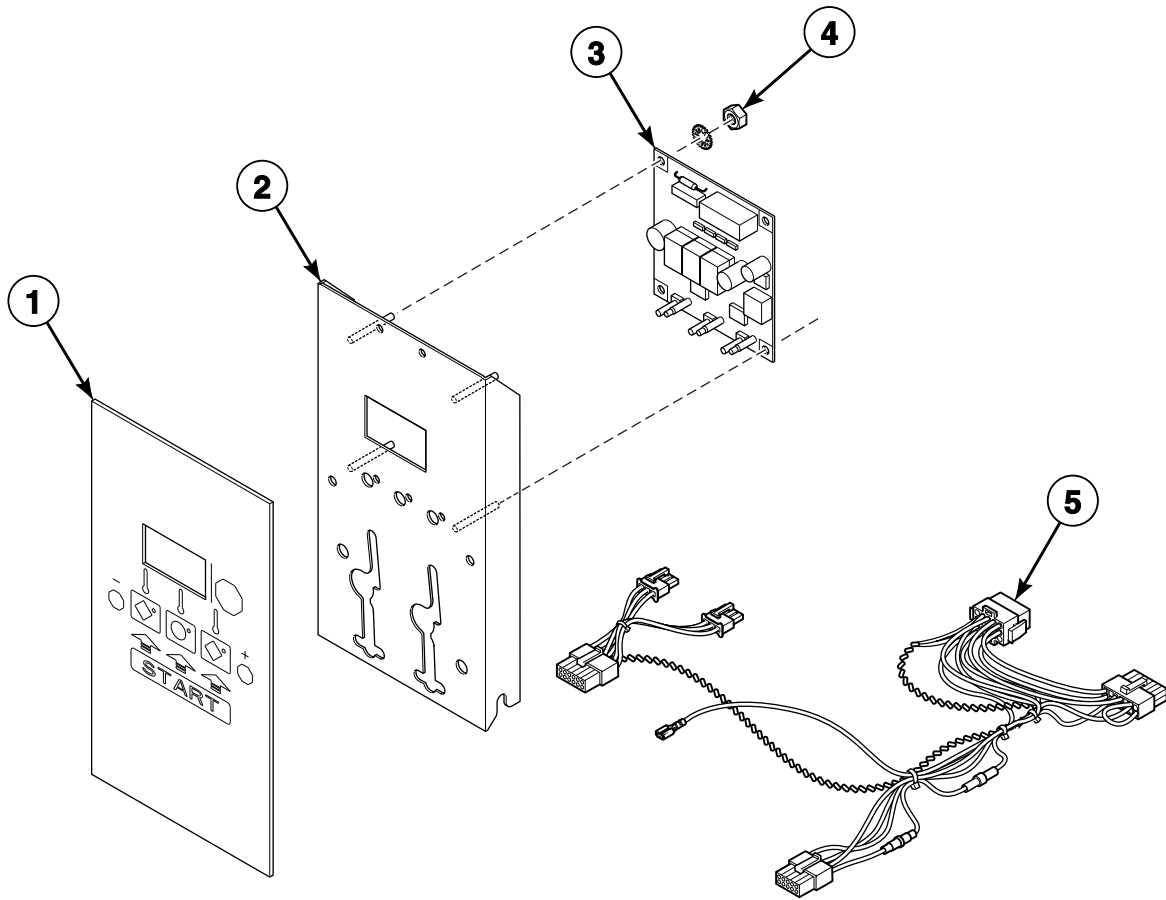
Card Reader Control Area for EDC Models

REF	PART NO.	DESCRIPTION	COMMENTS
	431613	Card Reader Harness Assembly	
	70084001	Jumper Bypass Assembly	
1	70136201	Overlay	N, P and S models; Text
	70115701	Overlay	H models; Icon
2	70175903	Control Door Assembly	N, P and S models; Includes studs
	70175904	Control Door Assembly	H models; Includes studs
3	M400003	Pop Rivet	
4	N/A	Latch Mounting Bracket	
5	501524	Screw	4 required
6	431318	Control Door Latch	Requires item 3
7	M414049P	Control Kit	
8	N/A	Card Reader Mounting Bracket	
9	39685P	Card Reader	
10	70054	Nut	2 required
11	70119001	Chassis Mounting Bracket	
12	430497	Screw	2 required

N/A = Part no longer available

DX4 Control Components

C, D and I Models with 3O, 3V and 3X Control Suffixes



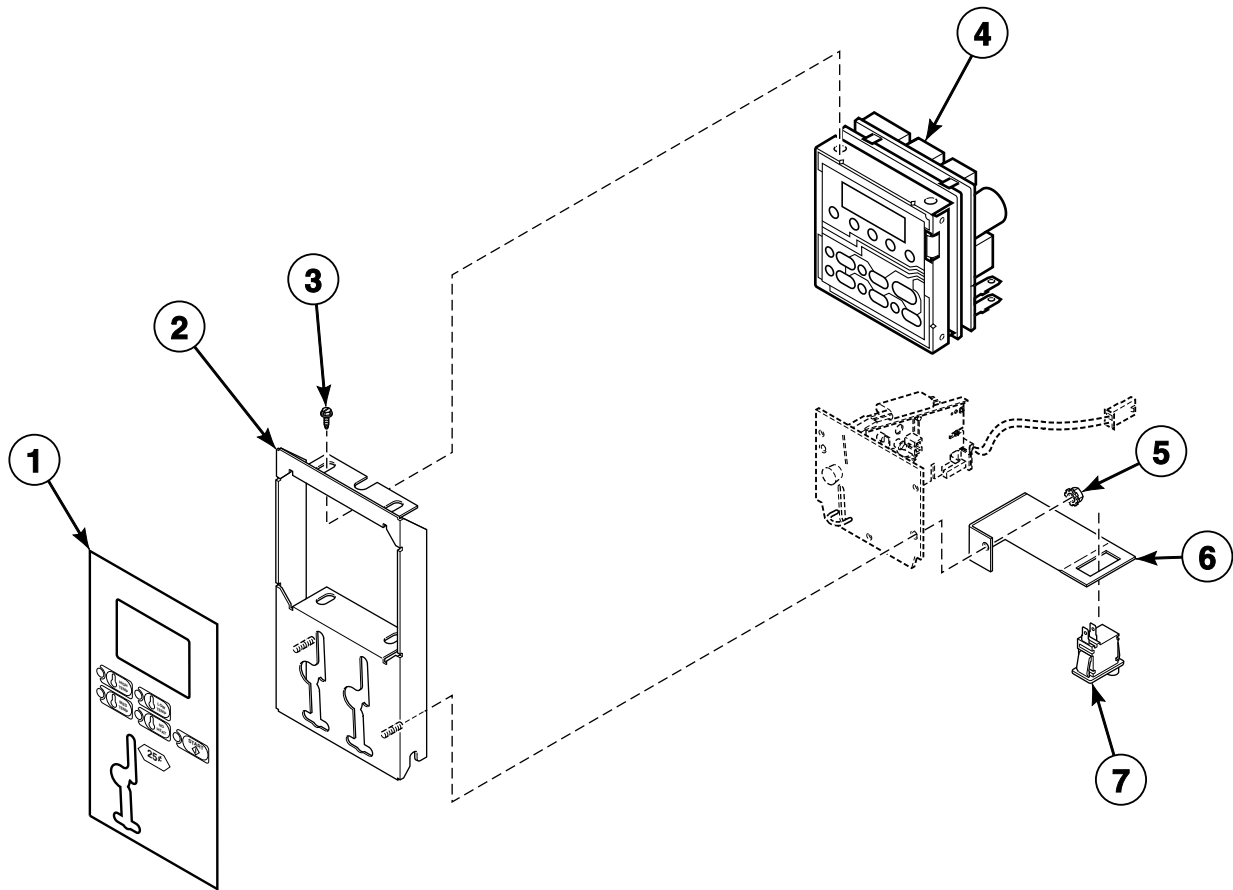
TMB2676P_70284401

DX4 Control Components

REF	PART NO.	DESCRIPTION	COMMENTS
1	70279101	Graphic Overlay	OPL
	70279201	Graphic Overlay	Coin; Single drop
	70279202	Graphic Overlay	Coin; Dual drop
2	70279301P	Control Plate Kit	
3	70462303P	Control Assembly	Non-CE and non-Australian models; 3O control suffix
	70462304P	Control Assembly	CE and Australian models; 3O control suffix
	70462367P	Control Assembly	Non-CE and non-Australian models; 3V and 3X control suffixes
	70462368P	Control Assembly	CE and Australian models; 3V and 3X control suffixes
4	29787	Nut	
5	70279801	Control Panel Harness	Non-CE and non-Australian models
	70280901	Control Panel Harness Assembly	CE and Australian models

Coin Drop Components for MDC Models

H, L, P and S Models with BC, BL and BX Control Suffixes



TMB2343P_70284401

Coin Drop Components for MDC Models

REF	PART NO.	DESCRIPTION	COMMENTS
	70406501	Fuse	Secondary; 1.25 Amp
	39564	Coin Drop Overlay	S models with BL* control suffix; Cover
	70246301	Coin Cover Overlay	H, L and P models with BL* control suffix; Cover
	70286701	Overlay	P models with BL* control suffix; Upper
	70321001	Overlay	P models with BC** and BX** control suffixes
	70129501	Overlay	P models with BC** and BX** control suffixes; Upper; Single drop
	70129601	Overlay	P models with BC** and BX** control suffixes; Upper; Dual drop
	70275401	Overlay	H models with BL* control suffix
	70286801	Overlay	P models with BL* control suffix; Lower
	70129801	Overlay	P models with BC** and BX** control suffixes; Lower; Dual drop
	70211703P	Jumper Calibration Assembly	
	70206301P	Control Panel Harness Assembly	HT, L, PT and ST models
	70235801	Control Panel Harness Assembly	HA, HU, PA, PU, SA and SU models
1	70257801	Overlay	L and S models with BC, BL* and BX control suffixes; Text; Single Drop
	70283301	Overlay	P models with BC**, BL* and BX** control suffixes; Upper; Text
	70283401	Overlay	P models with BC**, BL* and BX** control suffixes; Lower; Text
	70258101	Overlay	H models; Text; Single drop
	70257802	Overlay	L and S models with BC and BX control suffixes; Text; Dual drop
	70261101	Overlay	L and S models with BC, BL and BX control suffixes; Icon; Single drop
	70261102	Overlay	L and S models with BC and BX control suffixes; Icon; Dual drop
	70258102	Overlay	H models with BC and BX control suffixes; Dual drop
	70261301	Overlay	H models with BC, BL* and BX control suffixes; Icon; Single drop
	N/A	Overlay	H models with BC and BX control suffixes; Icon; Dual drop
2	70291101P	Control Plate Kit	S models
	70291201P	Control Plate Kit	H models
3	501524	Screw	4 required for mounting control
4	511867P	Control Assembly	
5	29786	Nut	2 required
6	70292601	Audit Switch Bracket	
7	70413301	Pushbutton Switch	

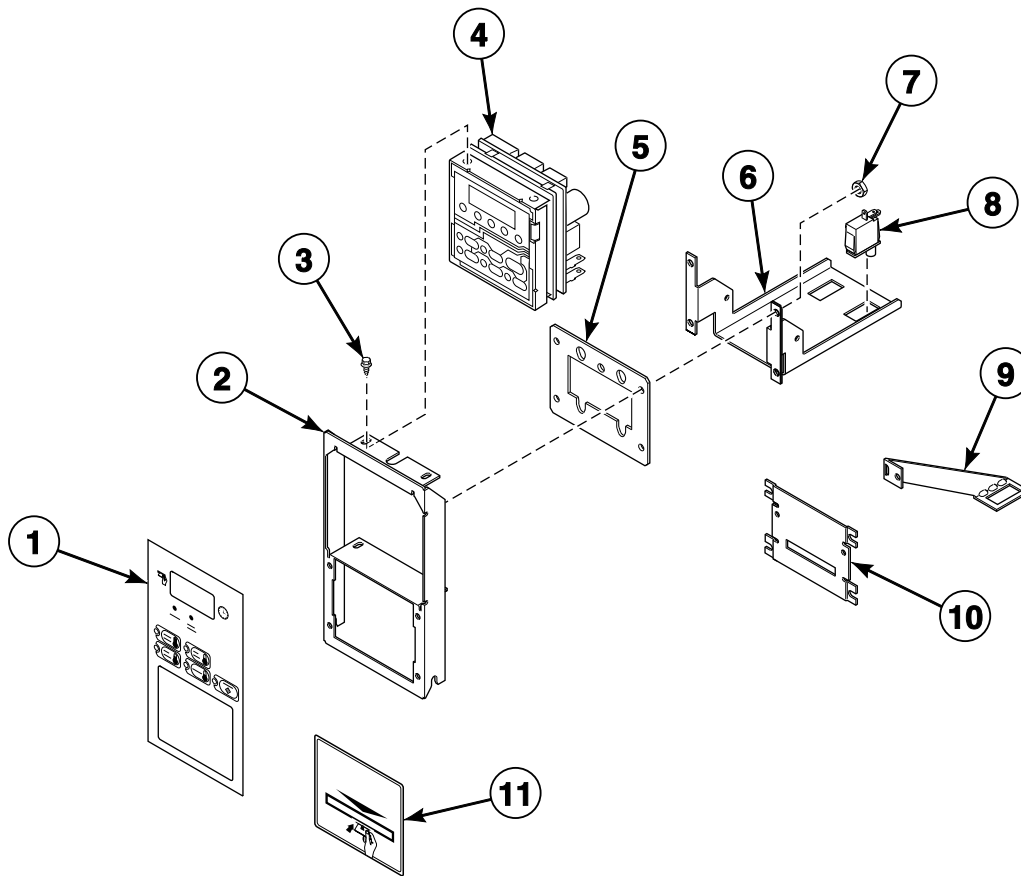
N/A = Part no longer available

*** NOTE: BL control suffix requires an overlay and overlay cover specific to model.**

**** NOTE: P models with BC or BX control suffixes require an overlay and coin drop overlay.**

MDC Models with BY Control Suffix

H, N and S Models

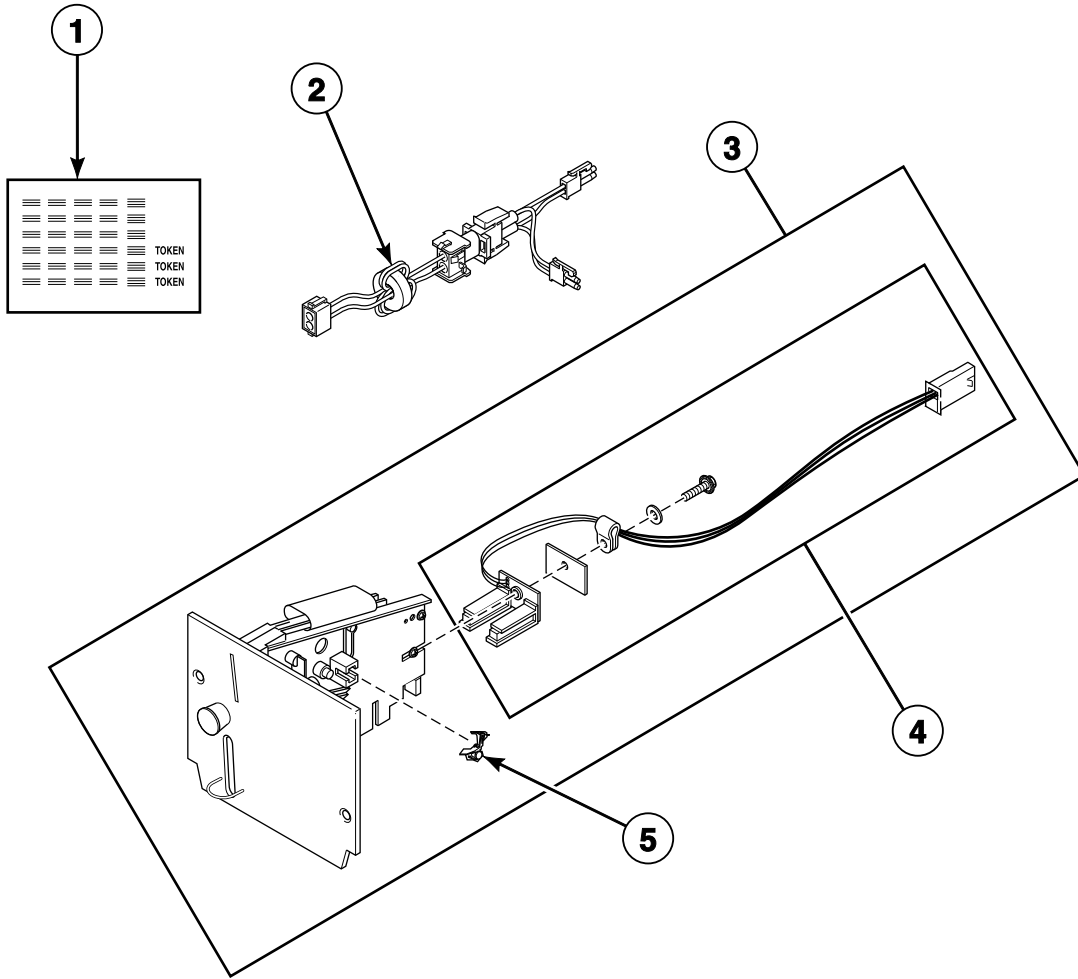


TMB1828B_70284401

MDC Models with BY Control Suffix

REF	PART NO.	DESCRIPTION	COMMENTS
1	70335801	Overlay	S models; Text and icon
	70336001	Overlay	H models; Text and icon
	70304201	Overlay	N models; Text and icon
2	70348901	Control Plate Assembly	N and S models
	70349001	Control Plate Assembly	H models
3	501524	Screw	4 required
4	511867P	Control Assembly	
5	70208801	Mounting Plate	
6	70119001	Chassis Mounting Bracket	Use with item 5
7	70054	Nut	
8	70413301	Pushbutton Switch	
9	70183901	Audit Switch Bracket	Use with item 10
10	44089501	Slot Card Plate Assembly	
11	70334201	Card Reader Overlay	Black; Included in literature packet
	70334301	Card Reader Overlay	Gray; Included in literature packet

Coin Drops



TMB2921P_70284401

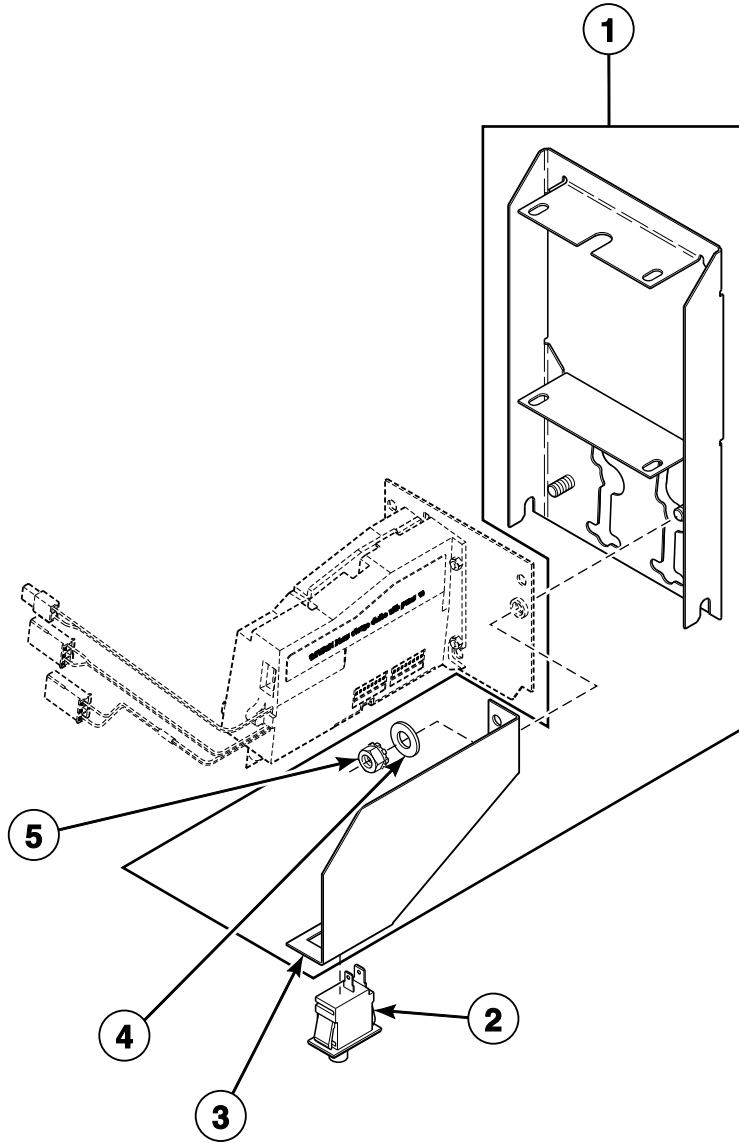
Coin Drops

REF	PART NO.	DESCRIPTION	COMMENTS
	CK502	Electronic Coin Drop Kit	Includes 44065801 Harness and wiring diagram supplement
	CK115	Electronic Coin Drop Kit	U.S. and Canada; Also order CK502 Electronic Coin Drop Kit
	CK113	Electronic Coin Drop Kit	Japan and Taiwan; Also order CK502 Electronic Coin Drop Kit
	CK099	Electronic Coin Drop Kit	Australia (default), New Zealand, Hong Kong, South Korea and Malaysia; Also order CK502 Electronic Coin Drop Kit
	CK100	Electronic Coin Drop Kit	United Kingdom (default) and Europe; Also order CK502 Electronic Coin Drop Kit
	CK101	Electronic Coin Drop Kit	Europe (default), Denmark and Norway; Also order CK502 Electronic Coin Drop Kit
	CK103	Electronic Coin Drop Kit	Lithuania (default), Latvia and Europe; Also order CK502 Electronic Coin Drop Kit
	CK108	Electronic Coin Drop Kit	South Africa; Also order CK502 Electronic Coin Drop Kit
	CK109	Electronic Coin Drop Kit	Euro; Also order CK502 Electronic Coin Drop Kit
	CK116	Electronic Coin Drop Kit	Malaysia (default), China and Singapore; In addition to this kit, order CK502 Electronic Coin Drop Kit
	CK117	Electronic Coin Drop Kit	Russia
	CK118	Electronic Coin Drop Kit	Philippine
1	38725	Coin Identification Paper	
2	44065801	Electronic Coin Drop Harness	Included in CK502 Electronic Coin Drop Kit
3	70294101P	Electronic Coin Drop Assembly	U.S. (default), Canada, Japan and Taiwan
	70294103P	Electronic Coin Drop Assembly	United Kingdom (default) and Europe
	70294104	Electronic Coin Drop Assembly	Europe (default), Denmark and Norway
	70294105P	Electronic Coin Drop Assembly	Australian (default), New Zealand, Hong Kong, South Korea and Malaysia
	70294105P	Electronic Coin Drop Assembly	Australian (default), New Zealand, Hong Kong, South Korea and Malaysia
	70294106	Electronic Coin Drop Assembly	Mexico (default), Ecuador and U.S.
	70294107	Electronic Coin Drop Assembly	Lithuania (default), Latvia and Europe
	70294116	Electronic Coin Drop Assembly	Malaysia (default), China, Russia and Singapore
	70294110	Electronic Coin Drop Assembly	South Africa
	70441601P	Coin Drop	U.S.; \$.25
	70283102	Coin Drop Assembly	Europe; .20 euro and .50 euro
	38475	Coin Drop Assembly	Japan; 100 yen
	38519	Coin Drop Assembly	Japan; 100 and 500 yen
	38467	Coin Drop Assembly	Australia; .20 and 1.00
	39748	Coin Drop	CE models; Token; Jeton
	210195	Coin Drop Assembly	Euro; .20 and 1.00
	N/A	Coin Drop Assembly	5 and 10 krone
	210196	Coin Drop Assembly	Euro; .50 and 1.00
	70256402P	Coin Drop	U.S.; Dual; \$.25 and 1.00
	38462P	Coin Drop Assembly	Token; STD-118-1
	38463	Coin Drop Assembly	Token, STD-118-5
	38464P	Coin Drop Assembly	Canada; .25
	70441602	Coin Drop Assembly	Canada; .25 and 1.00
	38472	Coin Drop Assembly	England; 20 pence and 1 pound
	N/A	Coin Drop Assembly	Denmark; 1 and 5 DKK; May replace with 70294104 Electronic Coin Drop Assembly
	38521	Coin Drop Assembly	Korea; 100 and 500 won
	N/A	Coin Drop Assembly	New Zealand; .20 and 100
	38963P	Coin Drop	Token; STD-118-16
	N/A	Coin Drop Assembly	Taiwan; Dual; 5 and 10 NT; May replace with 70294101 Electronic Coin Drop Assembly
	39157	Coin Drop Assembly	Israel; Shekel
	CK077	Coin Drop Kit	Taiwan; 10 NT; Also order CK502
4	200674P	Opto Coupler	
5	201595P	Wire Guard	

N/A = Part no longer available

Electronic Coin Drop Components

H, L, P and S Models



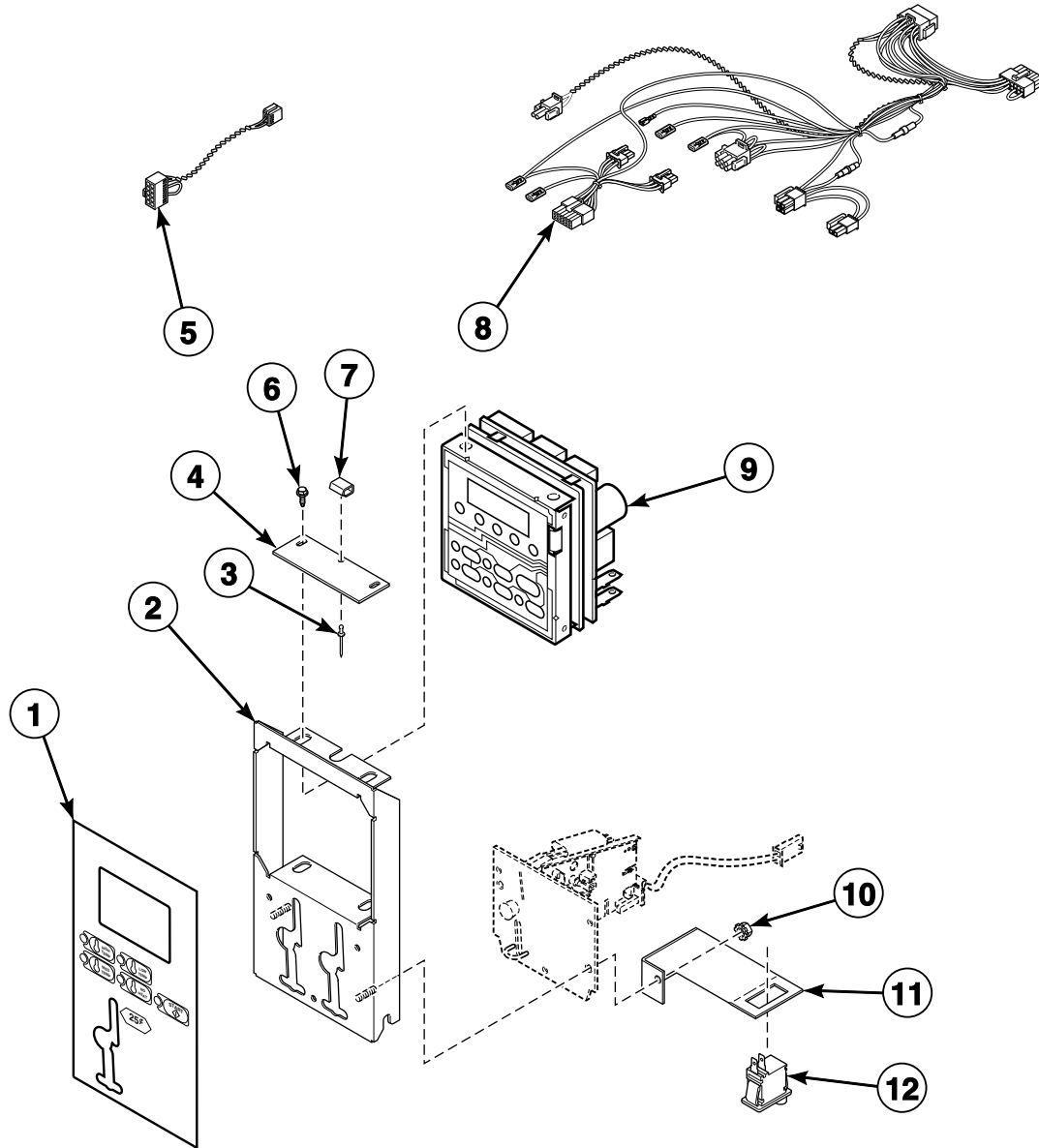
TMB1984K_70284401

Electronic Coin Drop Components

REF	PART NO.	DESCRIPTION	COMMENTS
1	70291101P	Control Plate Kit	L, P and S models; Includes control plate and items 3-5
	70291201P	Control Plate Kit	H models; Includes control plate and items 3-5
2	70413301	Pushbutton Switch	Audit switch
3	70292601	Audit Switch Bracket	
4	70292801	Washer	2 required
5	29786	Nut	2 required

Coin Drop Components for NetMaster Models

HT and ST Models with NC, NX, ZC and ZX Control Suffixes



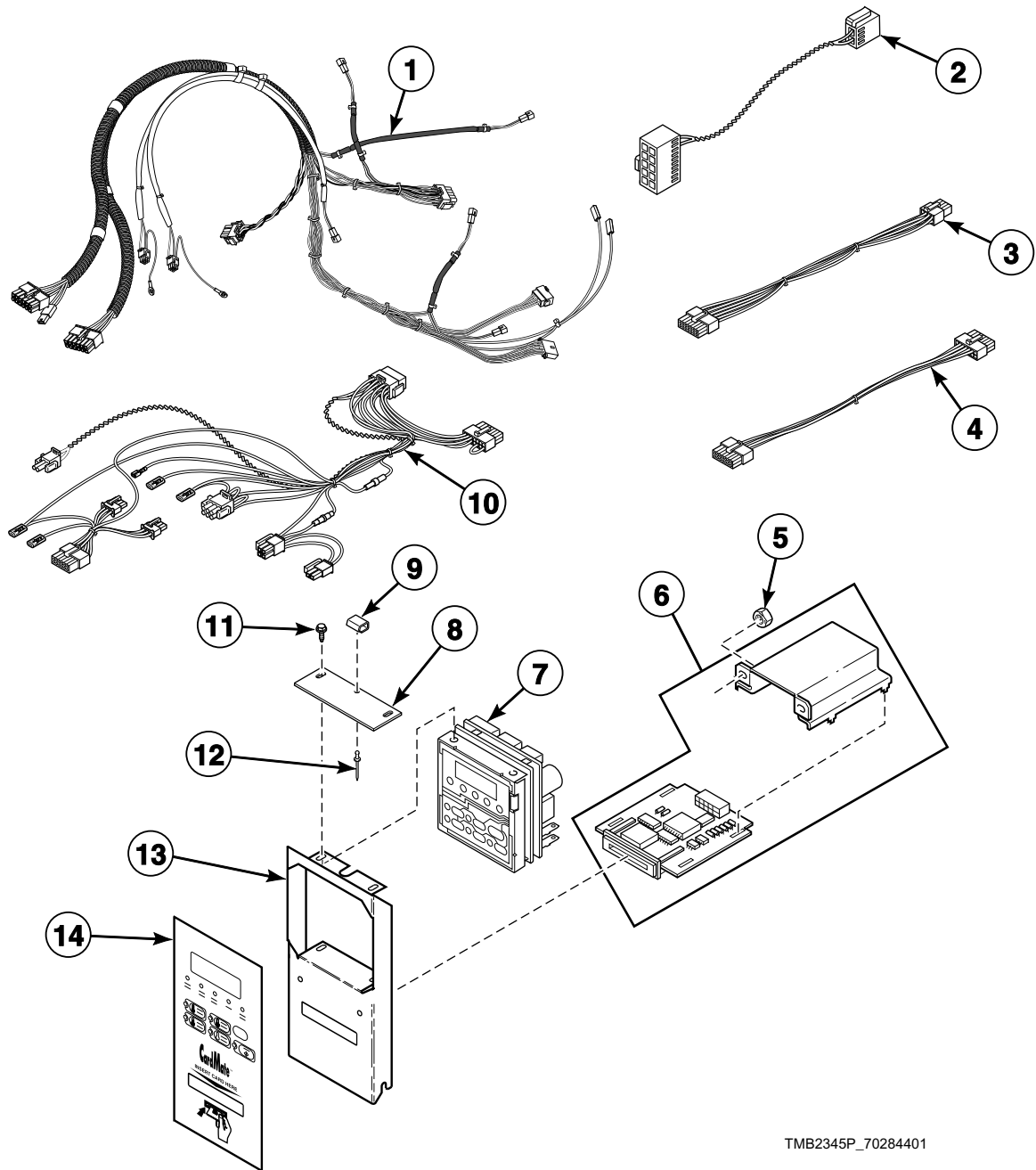
TMB2344P_70284401

Coin Drop Components for NetMaster Models

REF	PART NO.	DESCRIPTION	COMMENTS
1	70184101	Overlay	ST models; Single drop
	70239401	Overlay	HT models; Single drop
	70239402	Overlay	HT models; Dual drop
	70184102	Overlay	ST models; Dual drop
2	70175909	Control Door Assembly	ST models
	70175910	Control Door Assembly	HT models
3	M400003	Pop Rivet	
4	70184501	Latch Mounting Bracket	
5	70211703P	Jumper Calibration Assembly	
6	501524	Screw	4 required
7	431318	Control Door Latch	Requires item 3
8	70206301P	Control Panel Harness Assembly	
	70235801	Control Panel Harness Assembly	
9	505905P	Control Kit	
10	29786	Nut	2 required
11	70183901	Audit Switch Bracket	
12	70413301	Pushbutton Switch	

Card Reader Components for NetMaster Models

H and S Models with NR, NY, ZR and ZY Control Suffixes



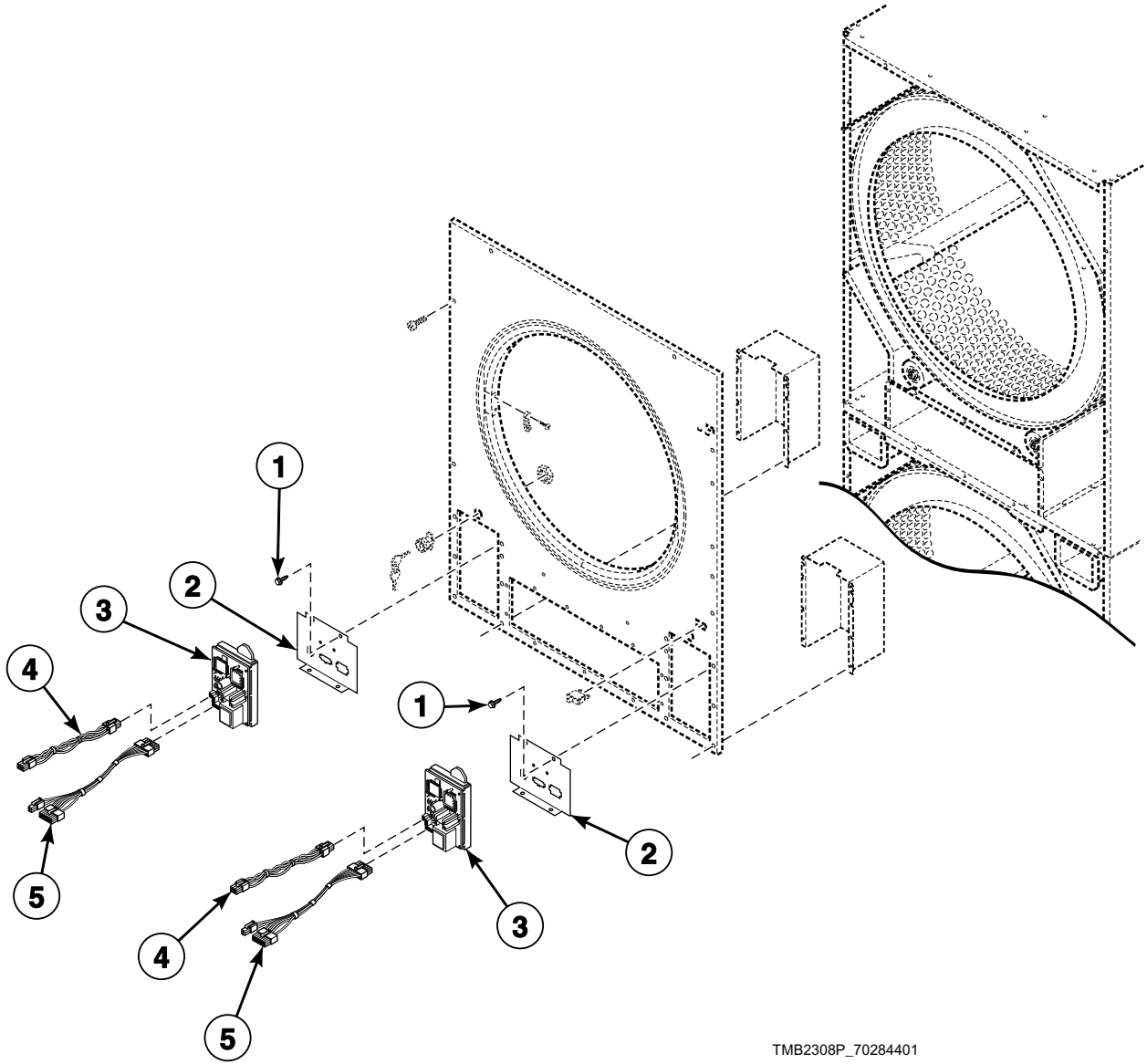
TMB2345P_70284401

Card Reader Components for NetMaster Models

REF	PART NO.	DESCRIPTION	COMMENTS
1	70204501	Main Remote Interface Harness Assembly	
2	70211703P	Jumper Calibration Assembly	
3	70206601	Card Reader Network Harness Assembly	Card reader with network
4	70211801	Card Reader Harness Assembly	Card reader without network
5	70054	Nut	2 required
6	510068P	Card Reader and Bracket Assembly	
7	505905P	Control Kit	
8	70184501	Latch Mounting Bracket	
9	431318	Control Door Latch	Requires item 12
10	70206301P	Control Panel Harness Assembly	Non-CE and non-Australian models
	70235801	Control Panel Harness Assembly	CE and Australian models
11	501524	Screw	4 required
12	M400003	Pop Rivet	
13	70175911	Control Door Assembly	
	70348901	Control Plate Assembly	ST models; Card ready
	70349001	Control Plate Assembly	HT models; Card ready
14	70184201	Overlay	Card reader installed
	70235101	Overlay	Card reader ready

Network Board for NetMaster Models

H and S Models with ZC, ZR, ZX and ZY Control Suffixes



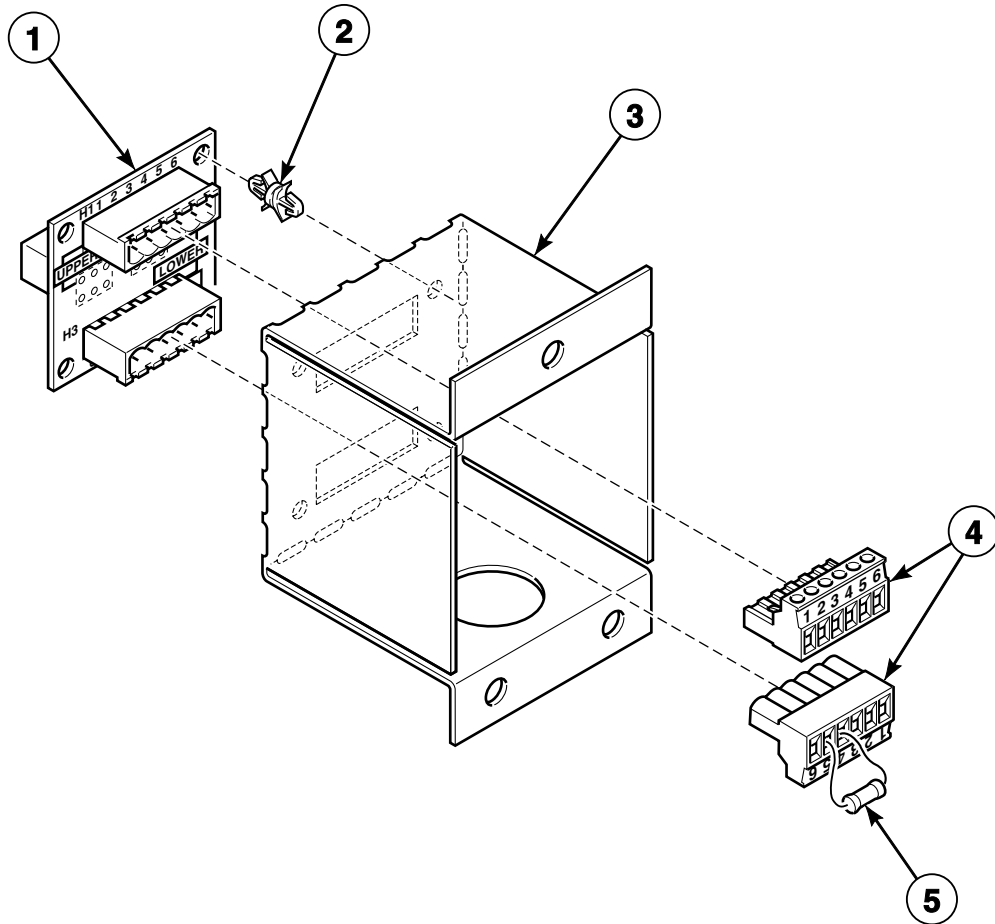
TMB2308P_70284401

Network Board for NetMaster Models

REF	PART NO.	DESCRIPTION	COMMENTS
1	430497	Screw	
2	70203201	Control Housing Cover	
3	210016P	Network Board Assembly	
4	70211101	Communication Harness Assembly	
5	800217	Network Wire Harness Assembly	

Communication Board for NetMaster Models

H and S Models

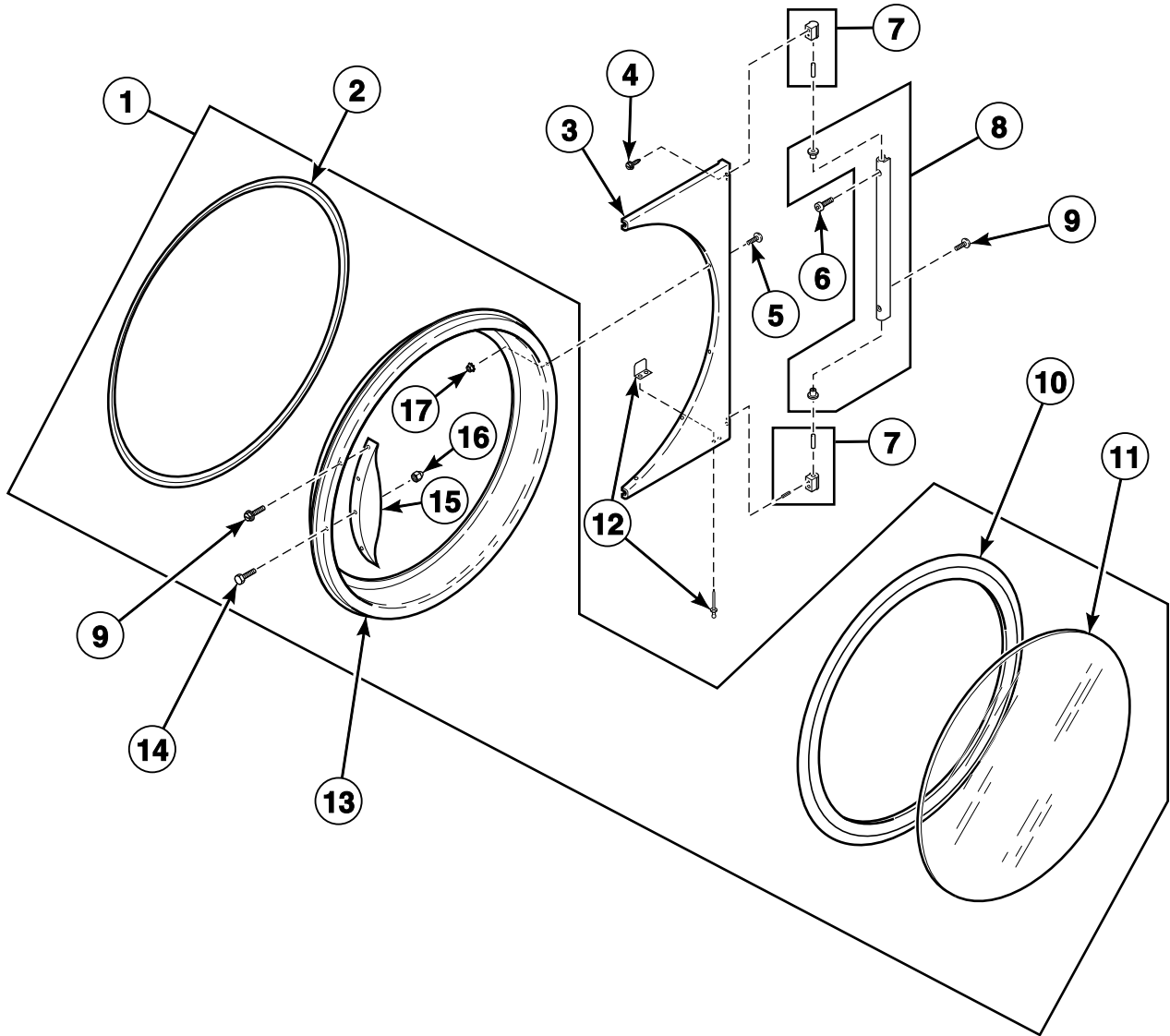


TMB2351P_70284401

Communication Board for NetMaster Models

REF	PART NO.	DESCRIPTION	COMMENTS
1	210097	Communication Board	
2	210098	PC Board Standoff	4 required
3	70205401	Communication Board Bracket	
4	210155	3 Circuit Data Connector	
5	210162	Terminating Resistor	120 Ohms

Door and Hinge Components



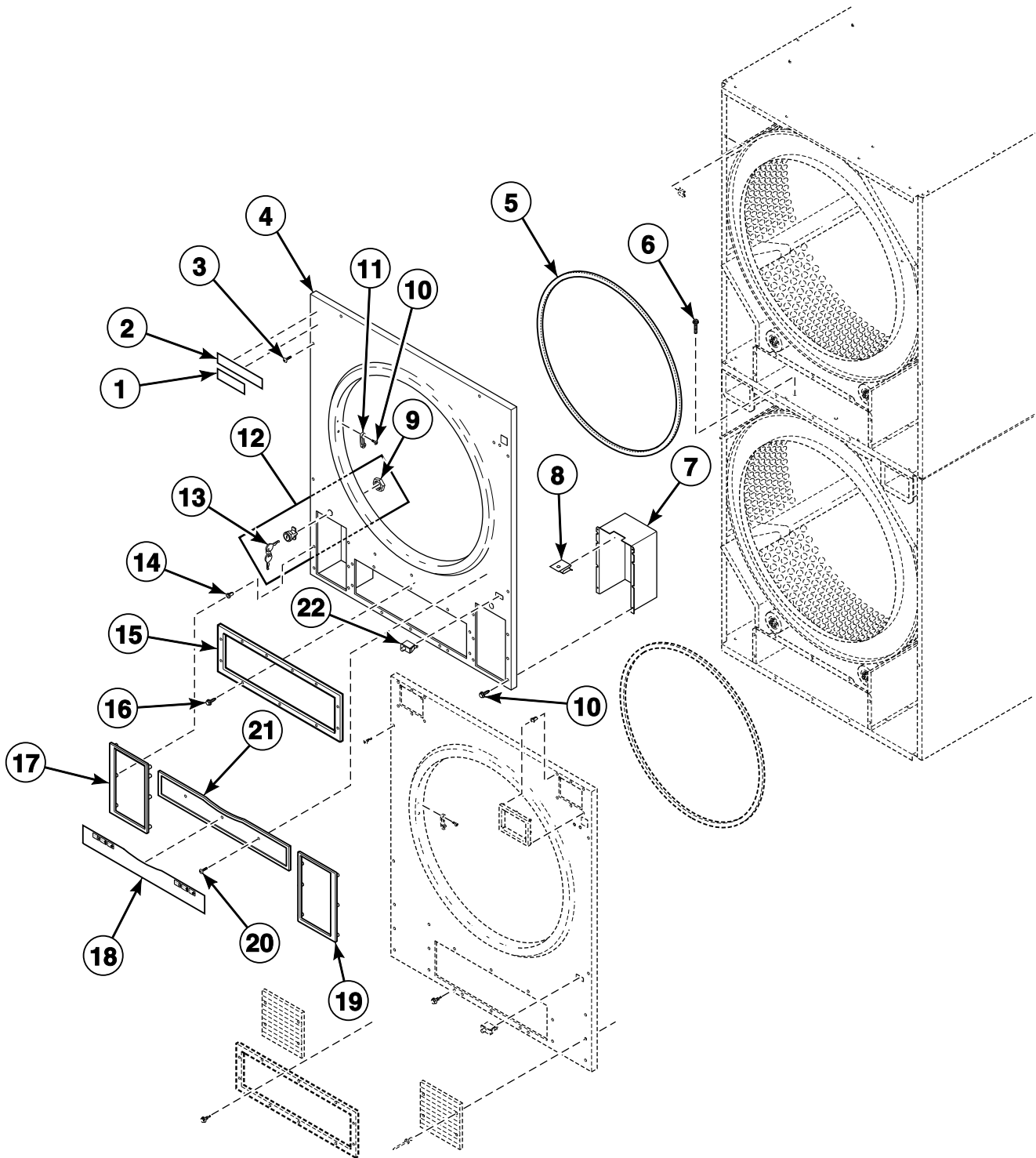
TMB2346P_70284401

Door and Hinge Components

REF	PART NO.	DESCRIPTION	COMMENTS
1	70212300	Door Assembly	M and S models; Excludes hinge
	44058001P	Door Assembly	H models; Excludes hinge
	70212200	Door Assembly	P models; Excludes hinge
	44058002	Door Assembly	N models; Excludes hinge
	70064100	Door Assembly	L models; Excludes hinge
	44046701	Door Assembly	C, D and I models; Excludes hinge
2	70296801	Door Ring Gasket	
3	70115901*	Door Hinge	Painted
	70115902	Door Hinge	Stainless steel
4	61199	Screw	
5	501524	Screw	C, D and I models
	M400044	Screw	All other models
6	70033502	Screw	
7	M4772P3	Cam and Hinge Kit	Includes upper and lower
8	44035001	Door Hinge Lug Assembly	Includes hinge bushings
9	44024201	Hole Plug	4 required; C, D and I models
	44023301	Screw	All other models
10	70211901P	Door Glass Seal Kit	
11	70133601P	Door Glass	H models
	M400784P	Door Glass	All other models
12	70215001P	Door Switch Actuator Kit	
13	44043501	Door Ring and Handle Assembly	C, D and I models
	70081801	Door Ring	H, M, N and S models
	70081901	Door Ring	L models
	70082001	Door Ring	P models
14	M400661	Screw	H, L, M, N, P and S models
15	44007902P	Door Handle	M and S models
	70133501P	Replacement Door Handle Kit	H models
	430117	Door Handle	L models
	M400133	Door Handle	P models
16	M414215	Nut	H, L, M, N, P and S models
17	70054	Nut	C, D and I models
	23951	Nut	All other models

* Add Letter To Designate Color. L - Almond Q - Bisque W - White

Upper Front Panel Components



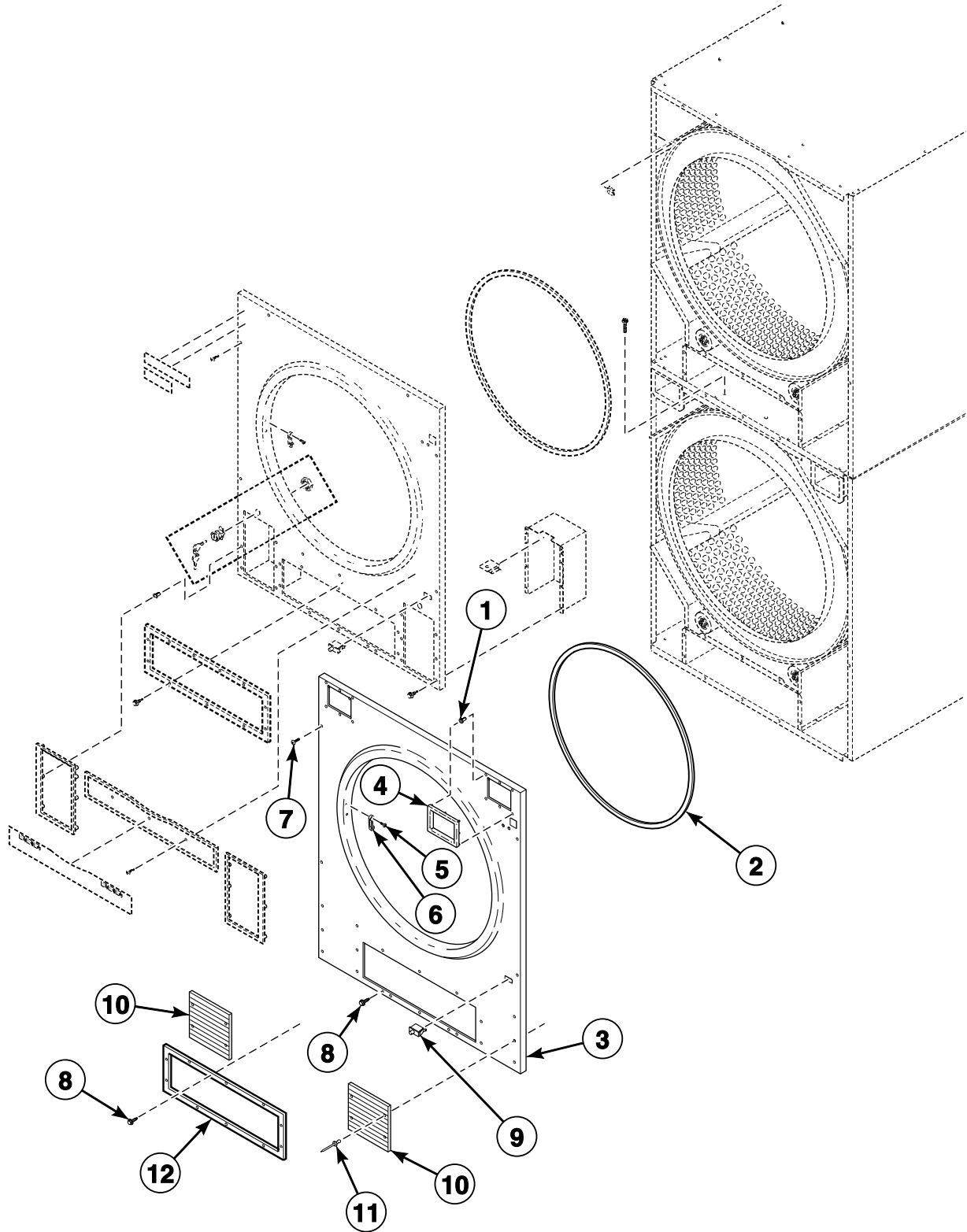
TMB2679P_70284401

Upper Front Panel Components

REF	PART NO.	DESCRIPTION	COMMENTS
	70204801	Main Harness Assembly	Non-network models
	M4379P4	Tumbler Dolly Kit	
	70204501	Main Remote Interface Harness Assembly	Main harness
	70155301	Front Panel Insulation	
	70017301	Front Panel Baffle Seal	
1	44062901	Nameplate	C models
	44046801	Nameplate	D and I models
2	44062901	Nameplate	C models
	70286601	Label	D and I models
3	70033502	Screw	
	70182601	Screw	Stainless steel
4	70176003*P	Upper Front Panel Assembly	HU and SU models; Includes items 10 and 11
	70176004P	Upper Front Panel Assembly	HU and SU models; Stainless steel; Includes items 10 and 11
	70391301WP	Upper Front Panel Assembly	All other models; Includes items 10 and 11
	70176002P	Upper Front Panel Assembly	All other models; Stainless steel; Includes items 10 and 11
5	70173401P	Front Panel Seal	
6	70069901	Screw	
7	70119901	Control Housing	
8	M406494	Panel Clip	2 required per control housing
9	44088801	Nut	
10	M400003	Pop Rivet	2 required for item 11; 4 required for item 7
11	M401223	Door Latch	
12	44089301P	Lock, Key and Nut Kit	RL001
13	70155601	Key	RL001
14	M400972	Shadow Box Clip	6 required for items 17 and 19
15	70117901P	Lint Drawer Gasket	
16	M411072	Screw	11 required
17	70116902	Control Trim	L, PT, PU and S models; Left
18	70114601	Overlay	S models; Coin
	70115401	Overlay	S models; Card
	70412901	Overlay	P models
	70243801	Overlay	L models
19	70117001	Control Trim	H models; Left and right
	70116901	Control Trim	All other models; Right
20	M405188	Screw	2 required
21	70120501	Control Trim	L, PT, PU and S models; Center
22	70413301	Pushbutton Switch	

* Add Letter To Designate Color. L - Almond Q - Bisque W - White

Lower Front Panel Components



TMB2679PA_70284401

Lower Front Panel Components

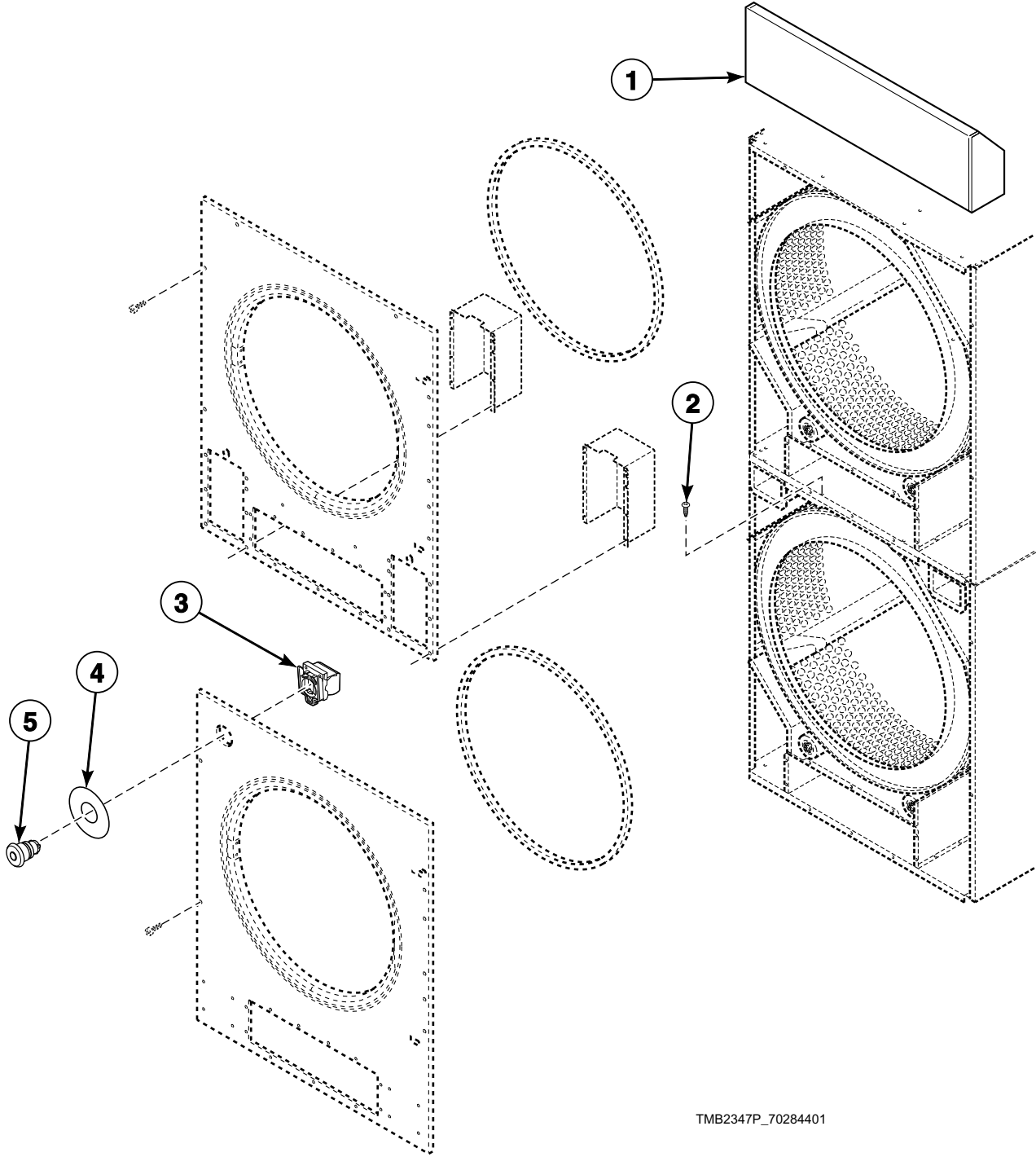
REF	PART NO.	DESCRIPTION	COMMENTS
	70108401P	Door Switch Harness	Lower door
	70155301	Front Panel Insulation	
	70017301	Front Panel Baffle Seal	
1	M400972	Shadow Box Clip	6 required for item 4
2	70173401P	Front Panel Seal	
3	N/A	Lower Front Panel Assembly	CE coin models; See **Note
	70176106	Lower Front Panel Assembly	CE coin models; Stainless steel; See **Note
	70176107*P	Lower Front Panel Assembly	CE OPL models; See **Note
	70176108	Lower Front Panel Assembly	CE OPL models; Stainless steel; See **Note
	70176101*P	Lower Front Panel Assembly	Non-CE coin models; See **Note
	70176102P	Lower Front Panel Assembly	Non-CE coin models; Stainless steel; See **Note
	70176103*P	Lower Front Panel Assembly	Non-CE OPL models; See **Note
	70176104P	Lower Front Panel Assembly	Non-CE OPL models; Stainless steel; See **Note
4	70117501	Coin Vault Trim	H models; Gray
	N/A	Coin Vault Trim	P models; White
	70117502	Coin Vault Trim	All other models; Black
5	M400003	Pop Rivet	2 required for item 6
6	M401223	Door Latch	
7	70033502	Screw	
	70182601	Screw	Stainless steel
8	M411072	Screw	11 required
9	70413301	Pushbutton Switch	
10	70117606	Kickplate	H models
	70117605	Kickplate	All other models
11	70126401	Pop Rivet	Gray; C, D, I, P and S models; 4 required for item 10
	70126301	Pop Rivet	Black; H models; 4 required for item 10
12	70117901P	Lint Drawer Gasket	

* Add Letter To Designate Color. Q - Bisque W - White

N/A = Part no longer available

** NOTE: All front panel assemblies include M401223 Door Latch and M400003 Pop Rivet

Emergency Stop Components and False Front Kits



TMB2347P_70284401

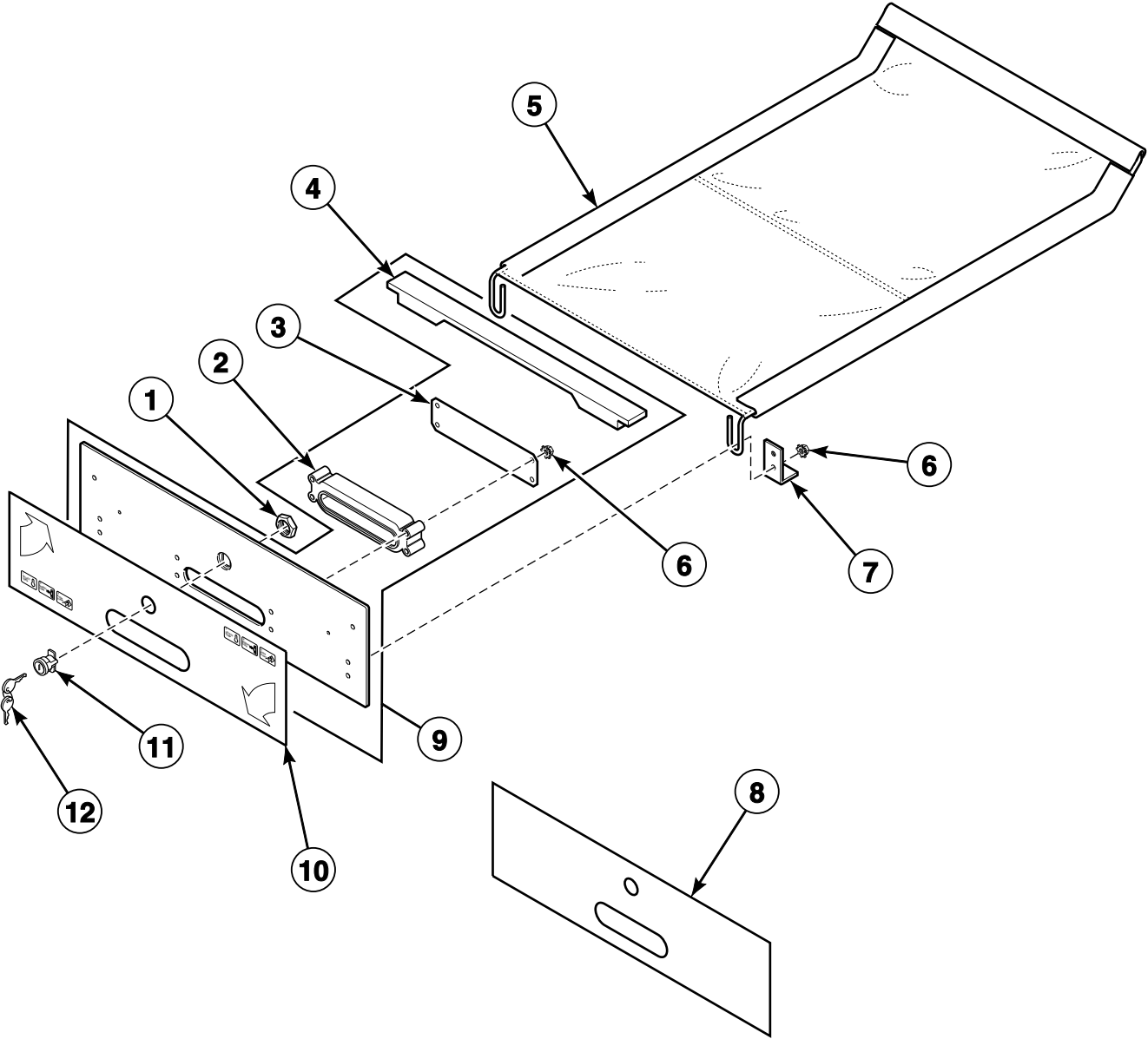
Emergency Stop Components and False Front Kits

REF	PART NO.	DESCRIPTION	COMMENTS
	70083901	Emergency Stop Switch Harness Assembly	CE models
	70235301	Emergency Stop Switch Harness Assembly	CE models; MT control suffix; 3O control suffix through July 2005
	70364101P	Emergency Stop Harness	CE models; 3O control suffix starting July 2005
1	70371701*P	False Front Kit	
	70371702P	False Front Kit	Stainless steel
2	70069901	Screw	
3	44018701	Contact Block	CE non-coin models
	N/A	Contact Block	CE non-coin models
4	M412235	Emergency Stop Label	CE non-coin models
5	44018801	Pushbutton	CE non-coin models

* Add Letter To Designate Color. **Q** - Bisque **W** - White

N/A = Part no longer available

Lint Drawer Components



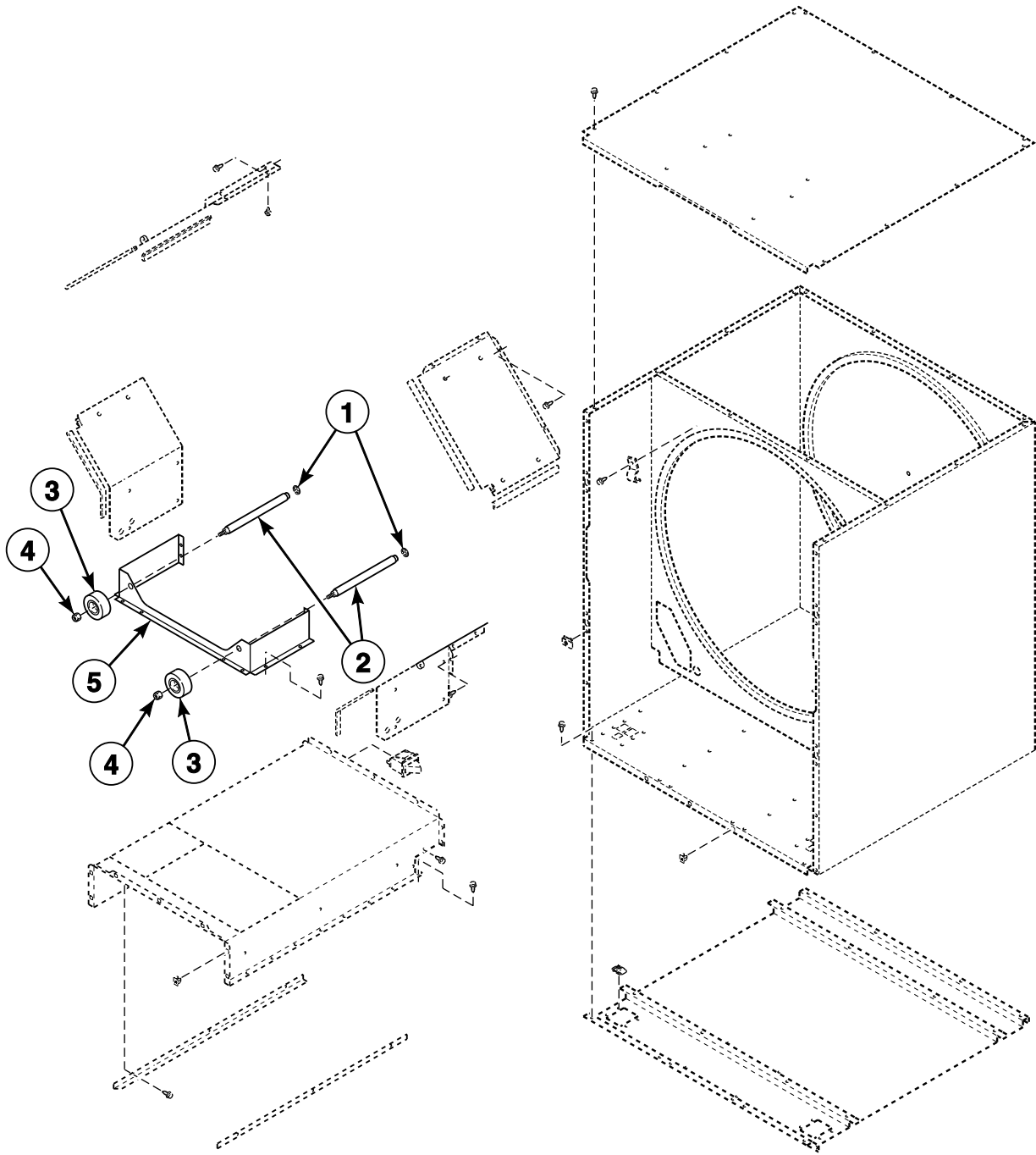
TMB2312P_70284401

Lint Drawer Components

REF	PART NO.	DESCRIPTION	COMMENTS
	70342401	Lock Shim	Black; Service only
	70342402	Lock Shim	Gray; Service only
	70322902P	Lint Drawer Front Kit	H models through Serial No. 0410xxxxx; Includes studs
	70322901P	Lint Drawer Front Kit	L, M, N, P and S models through Serial No. 0410xxxxx; Includes studs
1	44087401	Lock Mounting Clip	Models through Serial No. 0410xxxxx
2	70320801	Lint Drawer Handle	Black
	70320802	Lint Drawer Handle	Gray
3	70323201	Lint Drawer Handle Plate	
4	70333101	Lint Frame Gasket	
5	70290601	Lint Screen Assembly	
6	29786	Nut	4 required
	70054	Nut	Models through Serial No. 0410xxxxx
7	70026901	Lint Screen Bracket	2 required
8	70115201	Overlay	HA and HT models; Lower lint drawer
	70136601	Overlay	HU models; Lower lint drawer
	70136401	Overlay	SU models; Lower lint drawer
	70115301	Overlay	All other models; Lower lint drawer
9	70322901P	Lint Drawer Front Kit	Black; Includes items 2-4 and 70342401 Lock Shim; Models starting Serial No. 0410xxxxx
	70322902P	Lint Drawer Front Kit	Gray; Includes items 2-4 and 70342402 Lock Shim; Models starting Serial No. 0410xxxxx
10	70115101	Overlay	HA and HT models; Upper lint drawer
	70136501	Overlay	HU models; Upper lint drawer
	70137101	Overlay	P models; Upper lint drawer
	70258201	Overlay	C, D and I models; Upper; Text
	70285001	Overlay	C, D and I models; Upper; Icon
	70114701	Overlay	All other models; Upper lint drawer
11	44089302P	Lock, Key and Nut Kit	RL002
12	70155602	Key	RL002; Refer to Note

NOTE: Locks with key codes H2133, H2141 are no longer available. When replacing these items, order both lock and key.

Roller Bearing and Roller Support for Models Through Serial No. 0310xxxxx

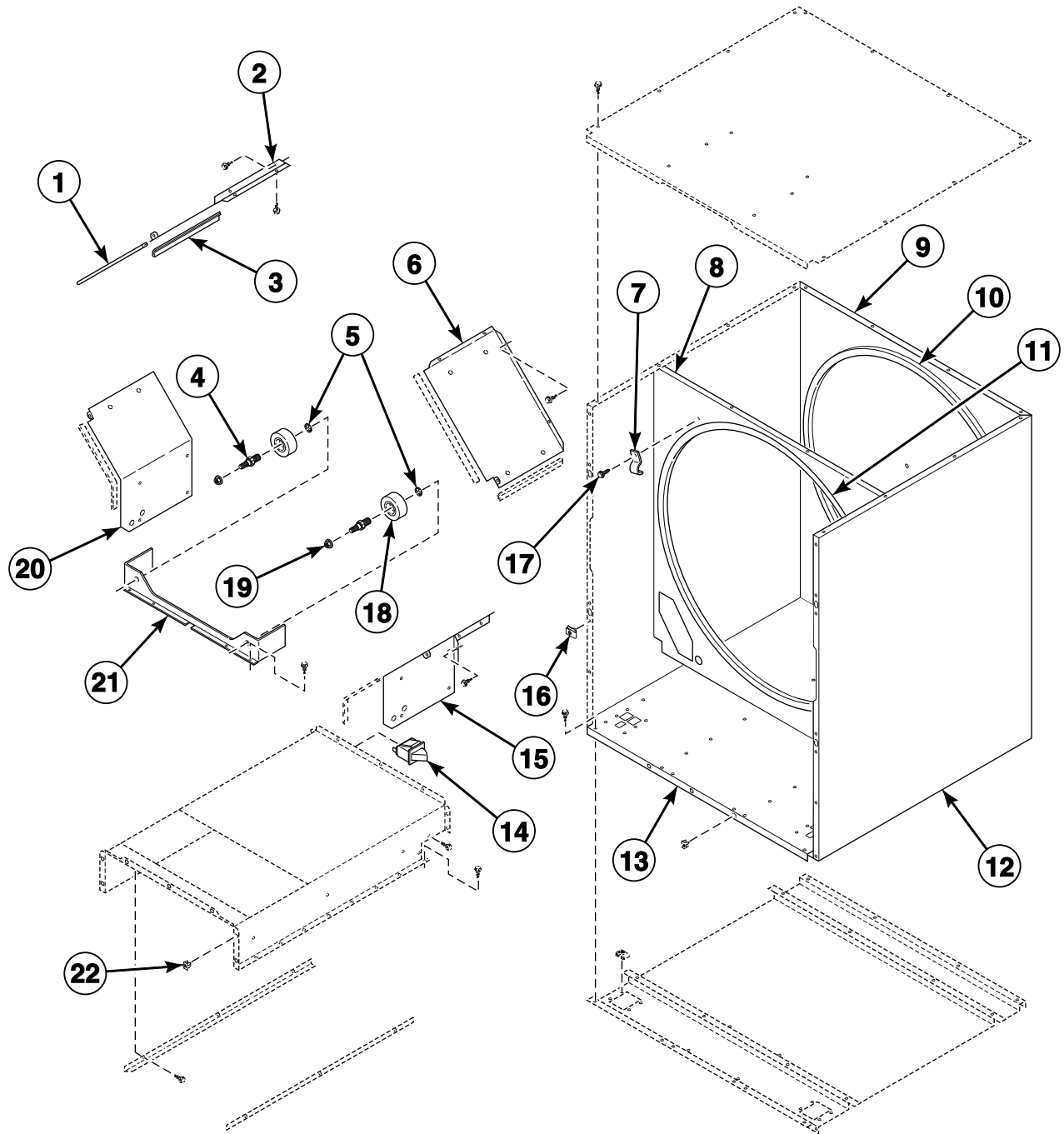


TMB2032P_70284401

Roller Bearing and Roller Support for Models Through Serial No. 0310xxxxx

REF	PART NO.	DESCRIPTION	COMMENTS
1	70023601	Retaining Ring	
2	70232001	Roller Shaft	
3	70298701P	Roller Bearing Assembly	
4	430576	Nut	
5	70231901	Roller Support Bracket	

Upper Cylinder Support Components



TMB2272P_70284401

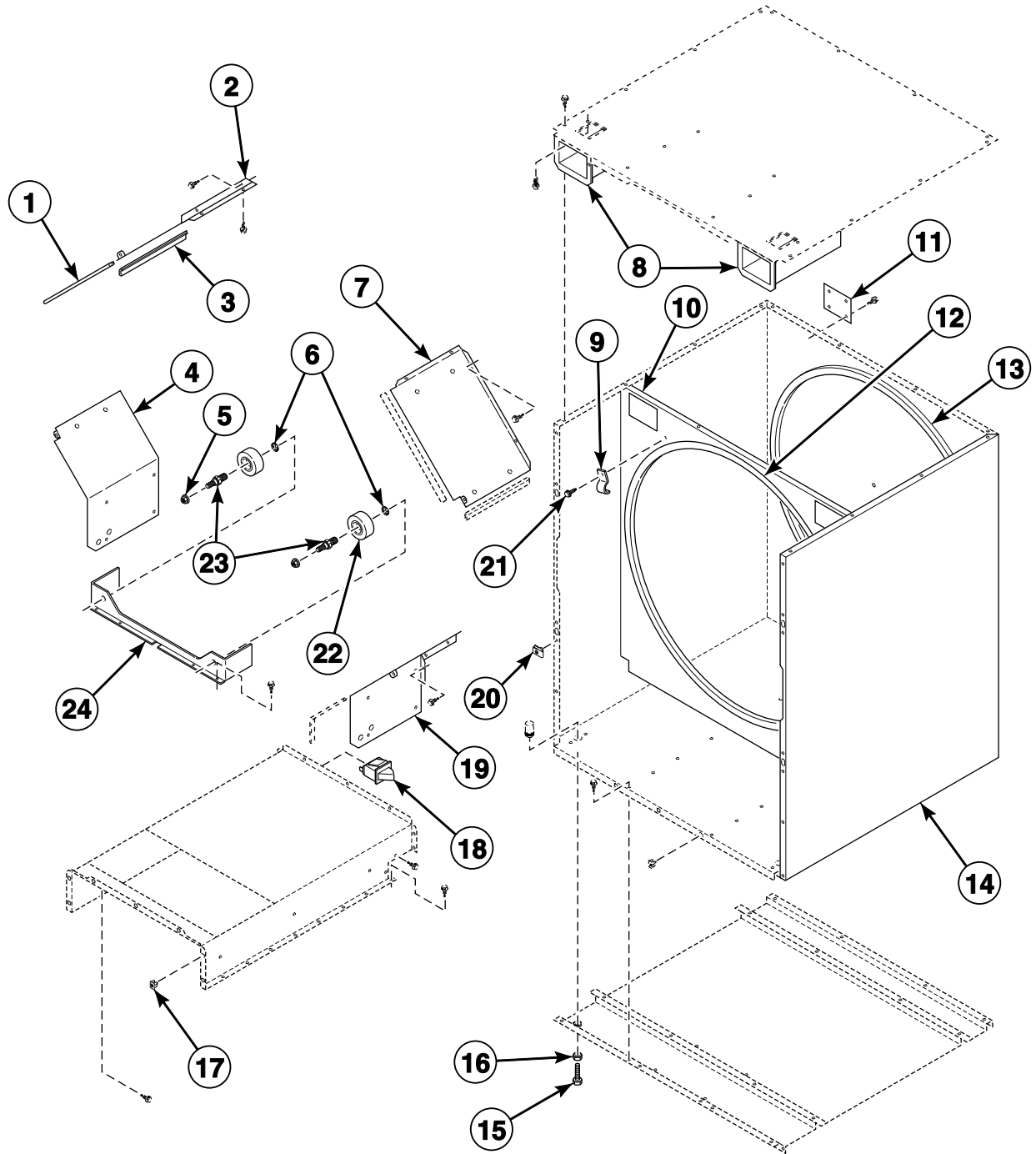
Upper Cylinder Support Components

REF	PART NO.	DESCRIPTION	COMMENTS
	70296901	Replacement Top Pan	
	70058501	Pop Rivet	10 required
1	70015701	Baffle Gasket	11.38 inches
2	70232602	Partition Baffle	Upper left
3	70015705	Baffle Gasket	8.75 inches
4	70249501	Roller Shaft	Models starting Serial No. 0310xxxxx
5	430576	Nut	
6	70232601	Partition Baffle	Upper right
7	70226701	Clip	13 required
8	70252701	Center Partition	
9	70243401P	Rear Panel	Gas models
	70243402	Rear Panel	Electric and steam models
10	70017201	Rear Cylinder Seal Support	Requires 10 of 70058501 Pop Rivet
11	70066003	Center Cylinder Seal Assembly	
12	70231801*P	Side Panel	
13	70338601	Center Pan	
14	431159	Switch	
15	70232701	Partition Baffle	Lower right
16	70030401	Nut	
17	430497	Screw	13 required
18	70298701P	Roller Bearing Assembly	
19	70288801	Nut	Models starting Serial No. 0310xxxxx
20	70232801	Partition Baffle	Lower left
21	N/A	Roller Support Bracket	Models starting Serial No. 0310xxxxx
22	70030501	Expansion Clip	

* Add Letter To Designate Color. Q - Bisque W - White

N/A = Part no longer available

Lower Cylinder Support Components



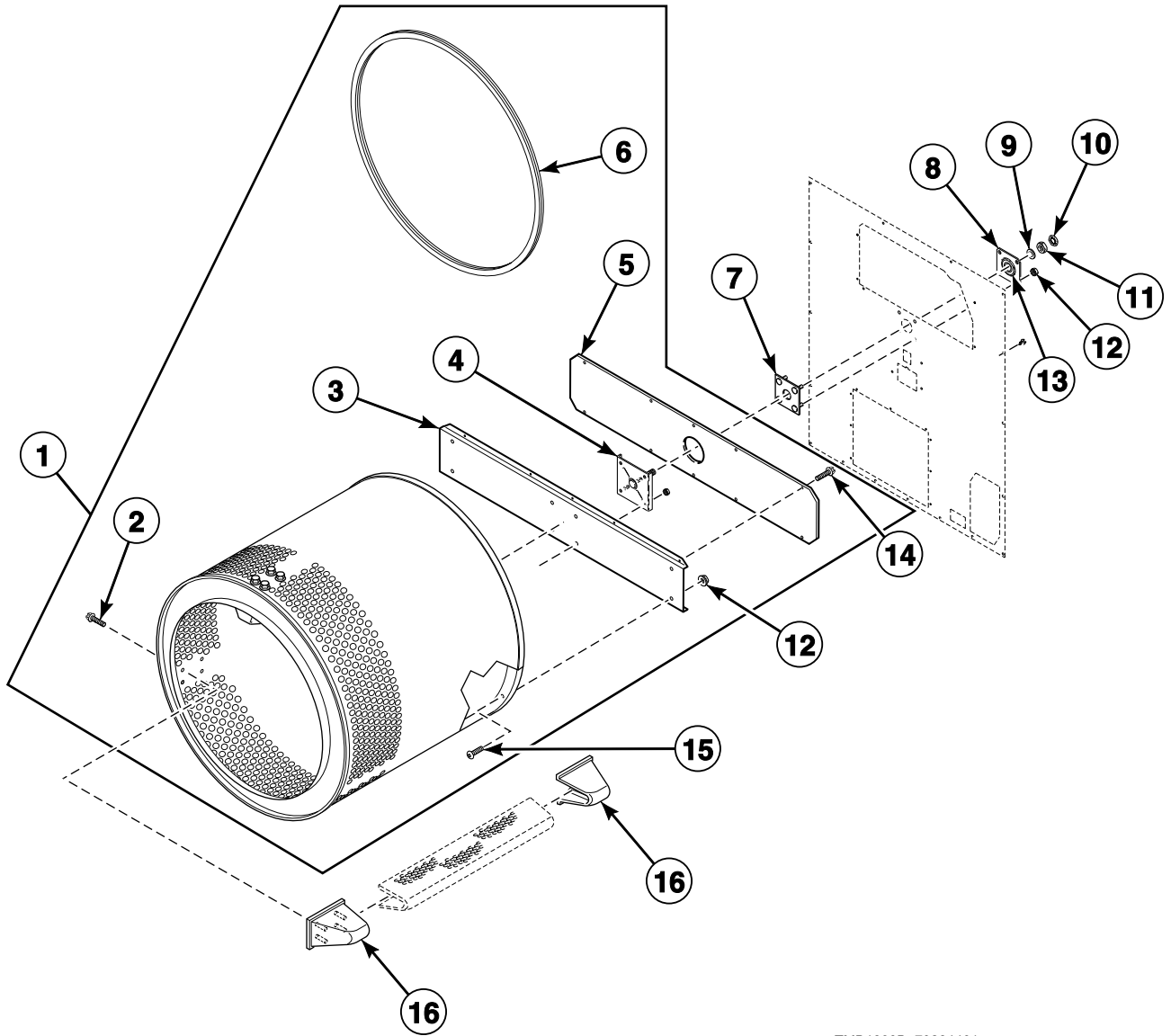
TMB3171P_70284401

Lower Cylinder Support Components

REF	PART NO.	DESCRIPTION	COMMENTS
	70058502	Pop Rivet	11 per coin vault
	70058501	Pop Rivet	10 required
	70084001	Jumper Bypass Assembly	
1	70015701	Baffle Gasket	11.38 inches
2	70232602	Partition Baffle	Upper left
3	70015705	Baffle Gasket	8.75 inches
4	70232801	Partition Baffle	Lower left
	70198801	Partition Baffle	Lower left; Models starting Serial No. 0310xxxxx
5	70288801	Nut	Models starting Serial No. 0310xxxxx
6	70023601	Retaining Ring	
7	70232601	Partition Baffle	Upper right
8	70180101	Coin Vault Assembly	
9	70226701	Clip	13 required
10	70252701	Center Partition	
11	70058301	Cabinet Strap	
12	70066003	Center Cylinder Seal Assembly	
13	70017201	Rear Cylinder Seal Support	Requires 10 of 70058501 Pop Rivet
14	N/A	Side Panel	C, D and I models
	70231801WP	Side Panel	All other models
15	70247701	Screw	
16	21899	Nut	
17	70030501	Expansion Clip	
18	431159	Switch	
19	70232701	Partition Baffle	Lower right
20	70030401	Nut	
21	430497	Screw	13 required
22	70298701P	Roller Bearing Assembly	
23	70249501	Roller Shaft	Models starting Serial No. 0310xxxxx
24	N/A	Roller Support Bracket	Models starting Serial No. 0310xxxxx

N/A = Part no longer available

Cylinder Components

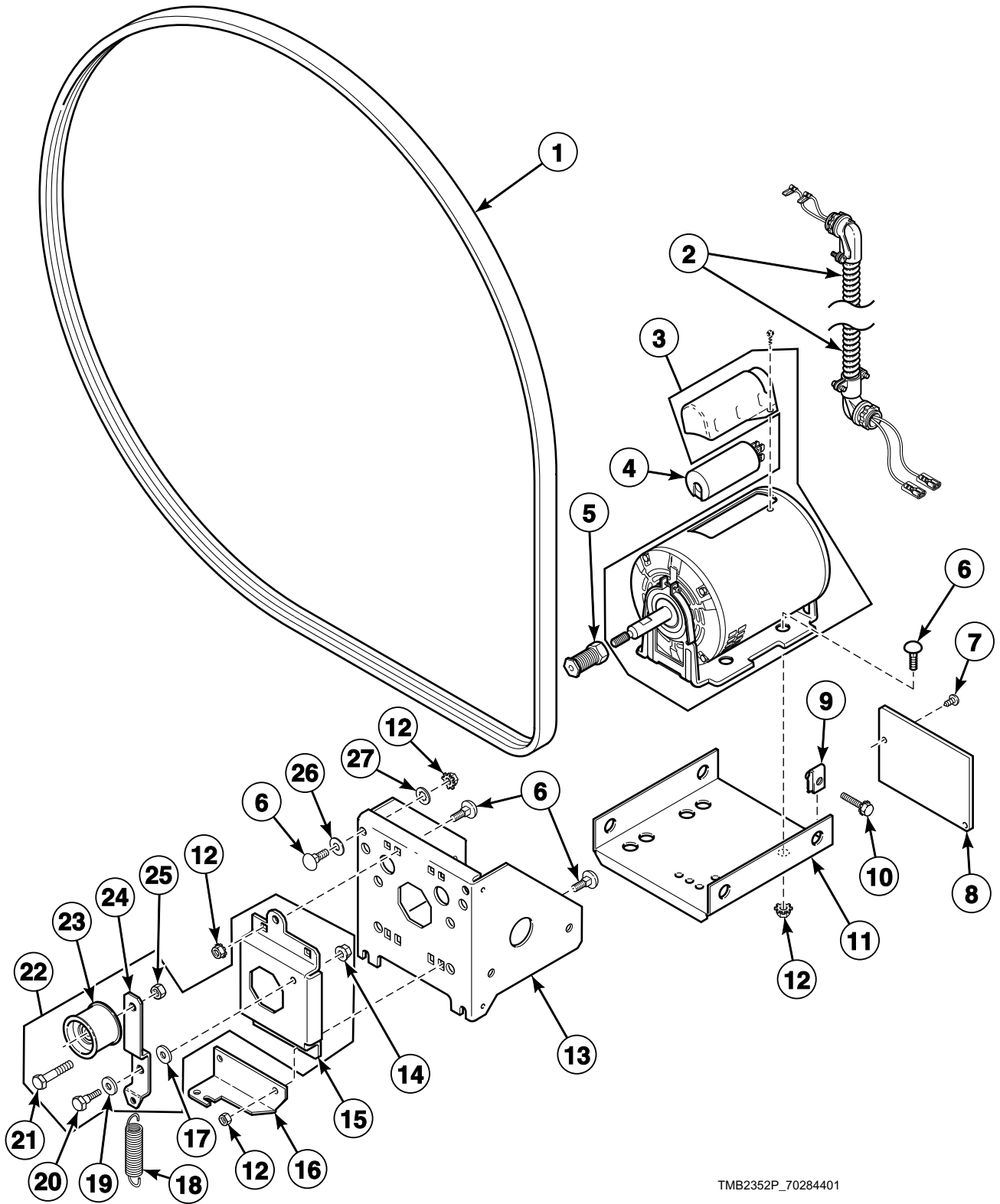


TMB1830B_70284401

Cylinder Components

REF	PART NO.	DESCRIPTION	COMMENTS
	511637P	Adhesive	For item 6
	M4762P3	Cylinder Channel Kit	
	70017201	Rear Cylinder Seal Support	
	70343101P	Drywall Screw Magnet Kit	Includes 6 magnets and 6 screws
	263P4	Cylinder Guide Tool	
	70058501	Pop Rivet	10 required; For rear cylinder seal support
1	70372501P	Cylinder Assembly	Galvanized
	70372502P	Cylinder Assembly	Stainless steel
2	62588	Screw	
3	70257101	Rear Cylinder Channel	
4	M4960P3	Trunnion and Seal Kit	Includes items 6, 7, 12, M400013 Washer and 70391101 Screw
5	70257201	Rear Cylinder Channel Plate	
6	70013701P	Rear Cylinder Seal	Use 511637P Adhesive
7	430352	Cylinder Bearing Stud Plate Assembly	
8	70013901	Rear Cylinder Bearing Housing	
9	M400991	Washer	
10	M400034	Nut	
11	M400022	Nut	
12	44087201	Nut	
13	70448701	Support Bearing	
14	430497	Screw	10 required
15	70392801	Bolt	8 required
16	70070101	End Cap	

Drive Motor Components

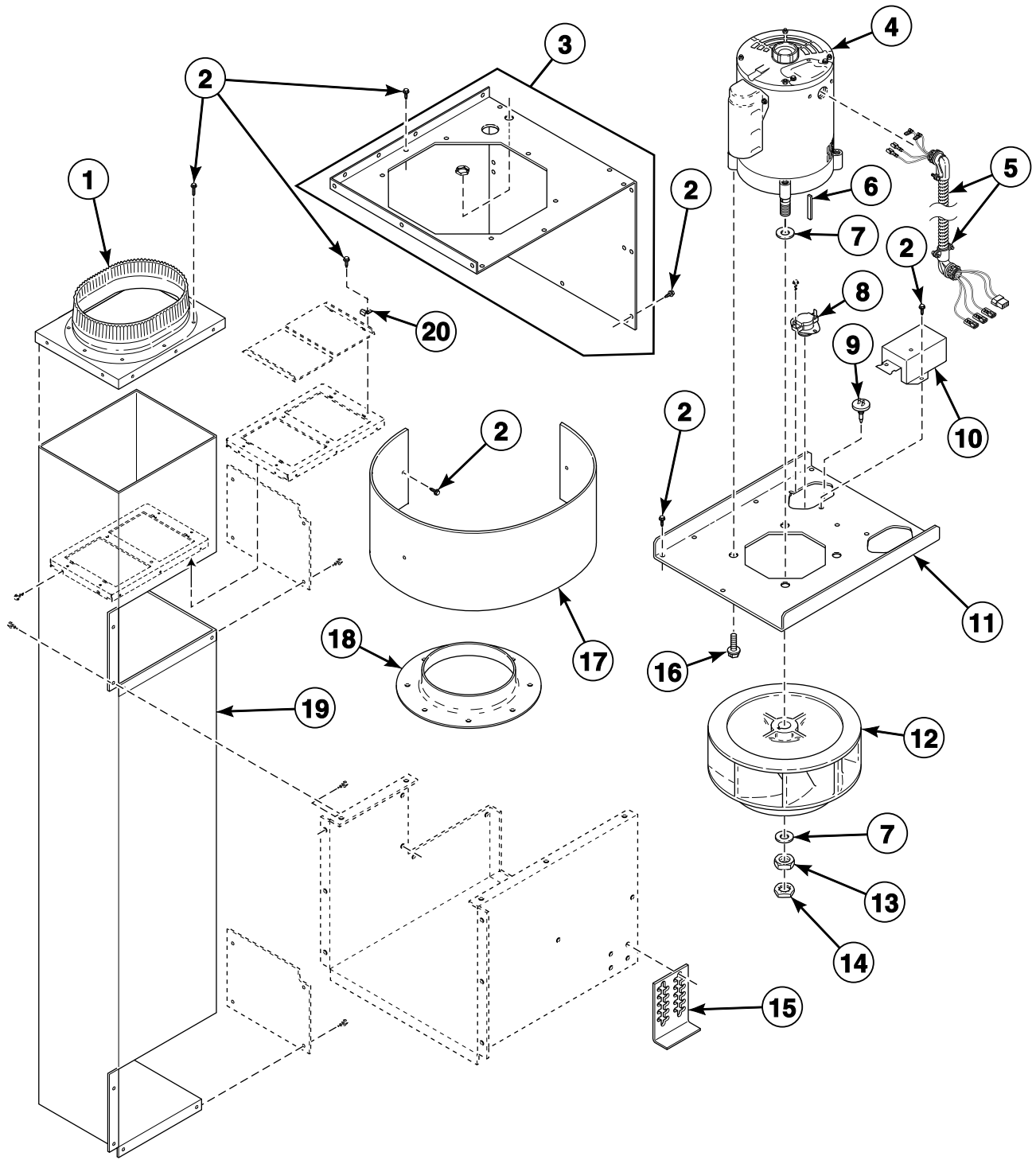


TMB2352P_70284401

Drive Motor Components

REF	PART NO.	DESCRIPTION	COMMENTS
	M4781P3	Belt and Idler Kit	60 Hertz
	M4782P3	Belt and Idler Kit	50 Hertz
	M4853P3	Belt Tension Tool Kit	
1	70276201P	Belt	
2	70080101P	Cylinder Motor Harness Assembly	1 Phase models; 3 Phase electric models with 240 Volt and below
	70085201	Cylinder Motor Harness Assembly	3 Phase models except electric with 240 Volt and below
3	70337801P	Drive Motor	Gas and steam models with 100 Volt/50 or 60 Hertz/1 Phase, 120 Volt/60 Hertz/1 Phase and 120-208-240 Volt/60 Hertz/1 Phase models starting Serial No. 9903002218; Electric models with 200-208 Volt/60 Hertz/1 or 3 Phase, 200 Volt/50 Hertz/1 or 3 Phase, 240 Volt/60 Hertz/1 or 3 Phase
	70337901P	Drive Motor Kit	120-240 Volt/60 Hertz/1 Phase
	70338101P	Drive Motor	Gas and steam models with 200 Volt/50 Hertz/3 Phase, 240 Volt/60 Hertz/3 Phase, 380 Volt/50 Hertz/3 Phase, 460-480 Volt/60 Hertz/3 Phase; Electric models with 380 Volt/50 Hertz/3 Phase, 400-415 Volt/50 Hertz/3 Phase, 460-480 Volt/60 Hertz/3 Phase
	70338001P	Drive Motor Kit	Gas and steam models with 230-240 Volt/50 Hertz/1 Phase; Electric models with 230-240 Volt/50 Hertz/1 or 3 Phase
	70338101P	Drive Motor	Gas and steam models with 230-240 Volt/50 Hertz/3 Phase
4	70211401	Motor Capacitor	Run; For 70337901P Drive Motor Kit on 20 Amp models
	70211502	Motor Capacitor	Start; For 70337901P Drive Motor Kit on 20 Amp models
5	70284203	Motor Pulley	50 Hertz
	70284201	Motor Pulley	60 Hertz
6	70062401	Bolt	
7	430497	Screw	
8	70202501	Drive Access Cover	
9	27222	Nut	4 required
10	M412985	Screw	
11	70127301	Motor Mount Bracket	
12	M412986	Nut	
13	70261701	Motor Channel	
14	29796	Nut	
15	70261601	Cylinder Idler Bracket	
16	70443301	Idler Bracket	
17	70270301	Washer	
18	70045301	Drum Idler Spring	
19	70265901	Washer	
20	M400056	Screw	
21	430648	Screw	
22	70275501P	Idler Assembly Service Kit	
23	70050401P	Idler Wheel Assembly	
24	70259901	Cylinder Idler Arm	
25	56156	Nut	
26	70017401	Washer	
27	70070401	Nut	

Blower and Exhaust Components



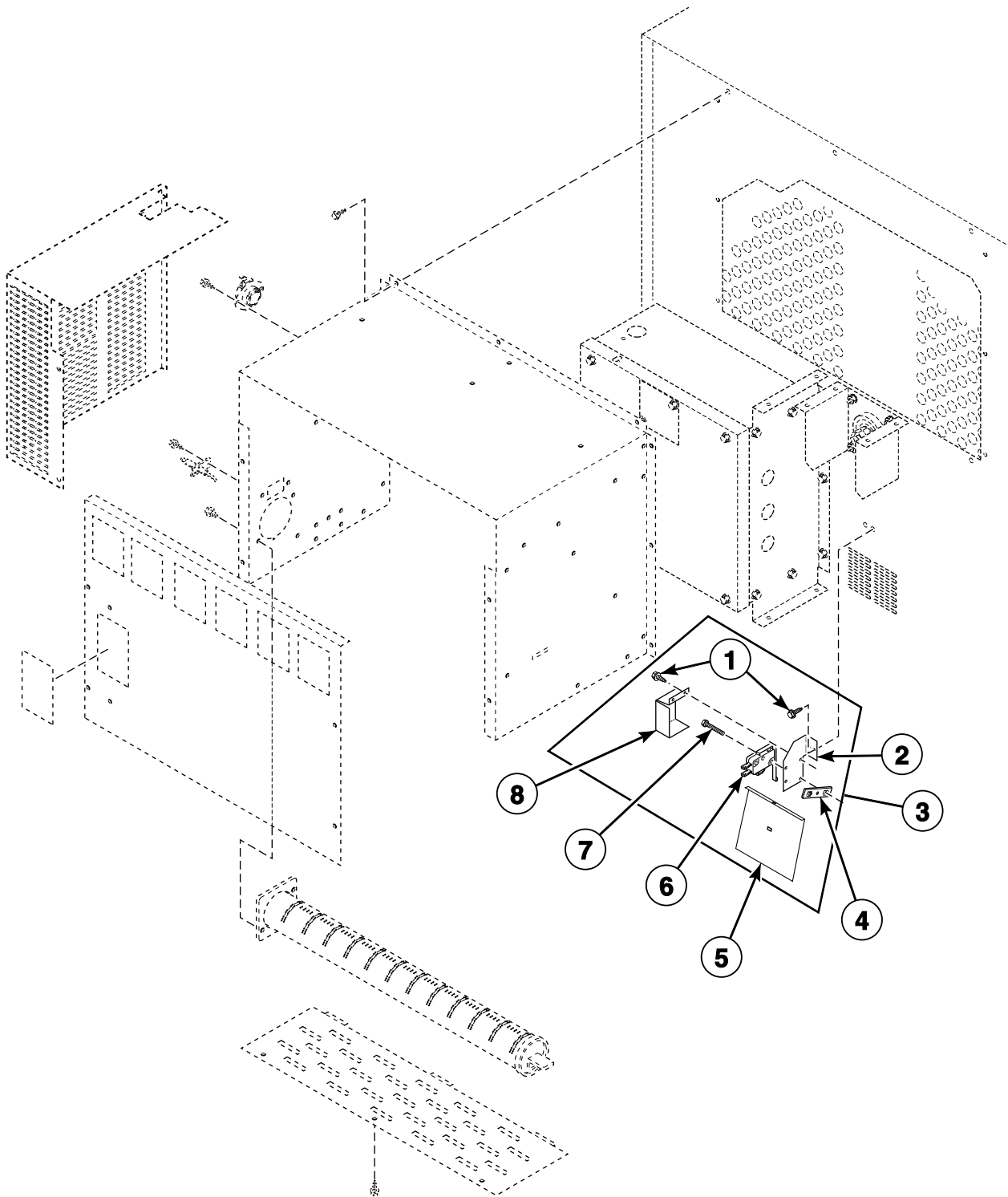
TMB2340P_70284401

Blower and Exhaust Components

REF	PART NO.	DESCRIPTION	COMMENTS
	70225501	Exhaust Duct Gasket	3 required
	70211501	Motor Capacitor	Start; For 70337601P Blower Motor Kit on 20 Amp models
1	70207501	Duct Cover	
2	430497	Screw	
3	70299201	Blower Housing Cover Assembly	Includes thermistor nut
4	70337501P	Blower Motor	Gas and steam models with 100 Volt/50 or 60 Hertz/1 Phase; 120 Volt/60 Hertz/1 Phase; Electric models with 200-208 Volt/60 Hertz/1 or 3 Phase, 200 Volt/50 Hertz/1 or 3 Phase, 240 Volt/60 Hertz/1 or 3 Phase
	70342601P	Blower Motor	Gas and steam models with 200 Volt/50 Hertz/3 Phase, 230-240 Volt/50 Hertz/3 Phase, 230 Volt/50 Hertz/3 Phase, 240 Volt/60 Hertz/3 Phase, 380 Volt/50 Hertz/3 Phase and 460-480 Volt/60 Hertz/3 Phase; Electric models with 380 Volt/50 Hertz/3 Phase, 400-415 Volt/50 Hertz/3 Phase and 460-480 Volt/60 Hertz/3 Phase
	70337701P	Blower Motor Kit	Gas and steam models with 230-240 Volt/50 Hertz/1 Phase; Electric models with 230-240 Volt/50 Hertz/1 or 3 Phase
	70337601P	Blower Motor Kit	Gas and steam models starting Serial No. 9903002218 with 120-208-240 Volt/60 Hertz/1 Phase; 20 Amp
5	70080201P	Fan Motor Harness Assembly	1 Phase models; 3 Phase electric models with 240 Volt and below
	70085101	Fan Motor Harness Assembly	3 Phase models except electric models with 240 Volt and below
6	70144101	Key	
7	M400991	Washer	
8	M411945	Manual Reset Thermostat	Australian models
	M411307	Limit Thermostat	All other models
9	M414704	Thermistor	
10	70112801	Thermistor Cover	
11	N/A	Blower Motor Mounting Plate	
12	70359801P	Blower Assembly	
13	M400022	Nut	
14	M400034	Nut	
15	70200301	Rear Stabilizer Bracket	
16	70126101	Screw	
17	70218101	Blower Housing Scroll	
18	70014101	Blower Inlet Cone	
19	70246201	Exhaust Duct Assembly	
20	70226701	Clip	

N/A = Part no longer available

Airflow Switch

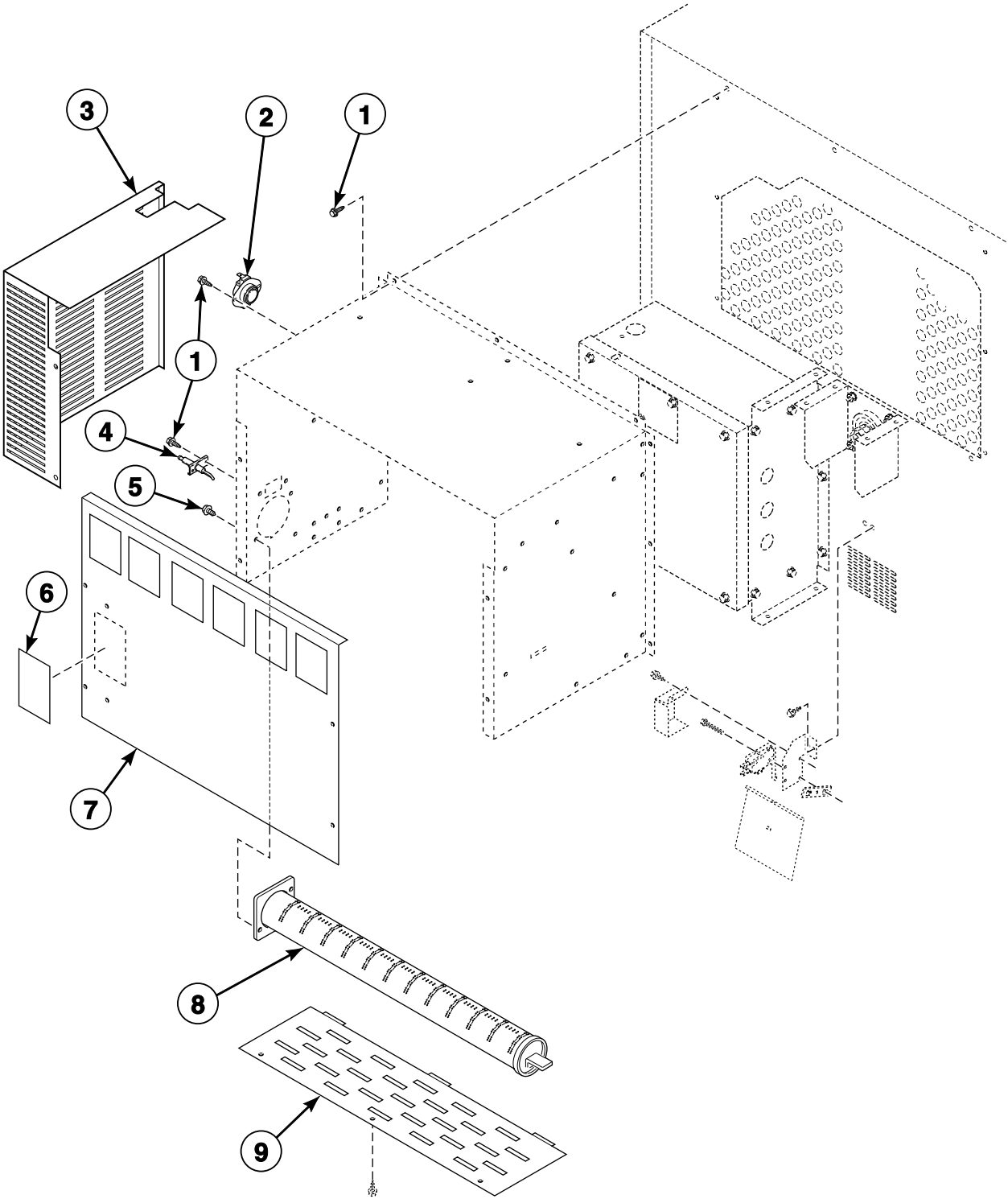


TMB2680P_70284401

Airflow Switch

REF	PART NO.	DESCRIPTION	COMMENTS
1	430497	Screw	
2	70266301	Airflow Switch Bracket	
3	70270901P	Airflow Switch Kit	
4	M400979	Nut	
5	70266201	Airflow Switch Vane	
6	70267301	Airflow Switch	
7	M401938	Screw	
8	70271601	Airflow Switch Plate	

Gas Burner Components

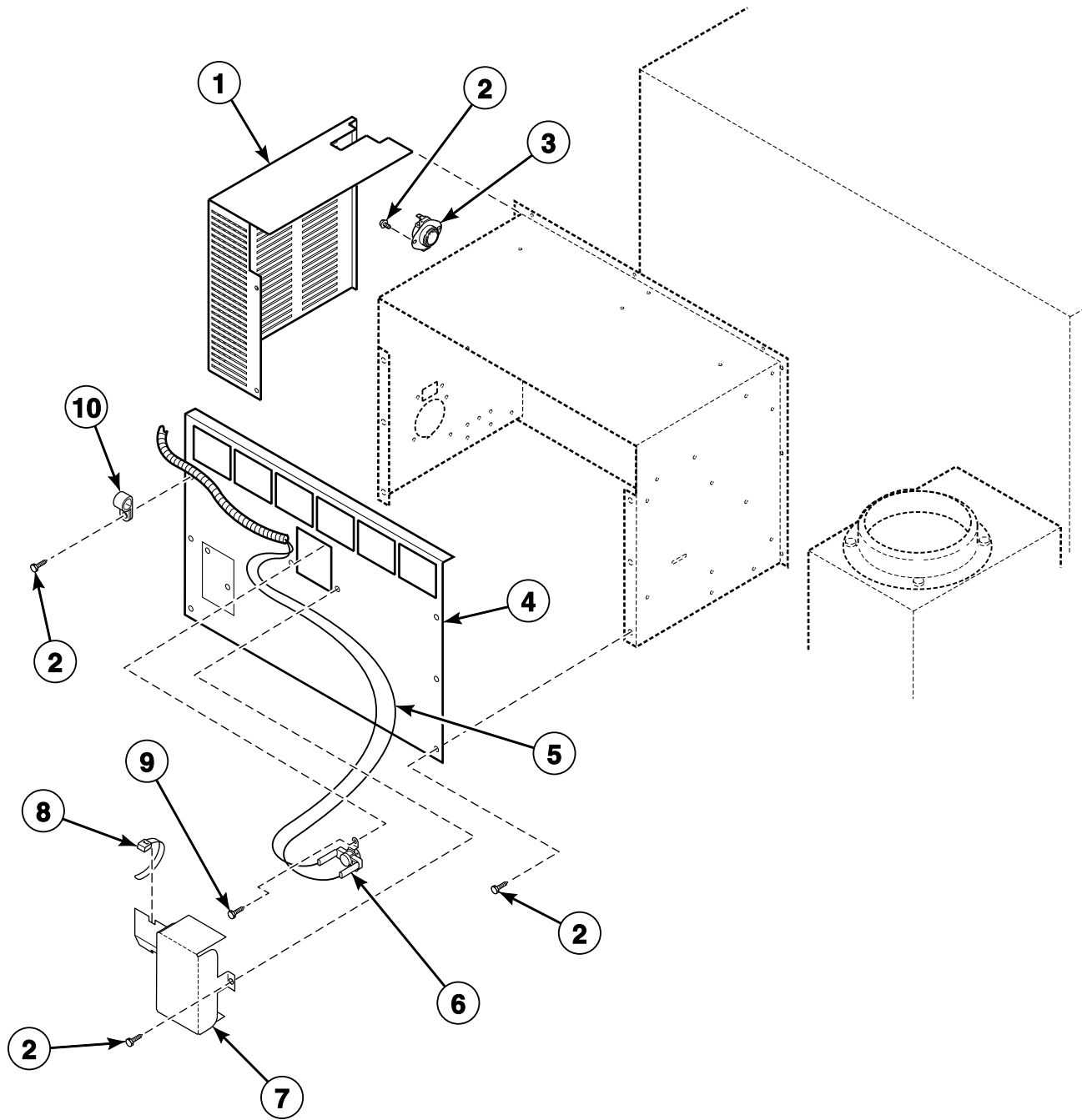


TMB2680PA_70284401

Gas Burner Components

REF	PART NO.	DESCRIPTION	COMMENTS
	70084801P	Interlock Harness Assembly	
1	430497	Screw	
2	70186301	Manual Reset Thermostat	Australian models
	M409219	Limit Thermostat	All other models
3	M4746P3	Valve Bracket and Cover Kit	Models starting Serial No. 9807017398
4	70032801P	Spark Electrode	
5	05161	Screw	
6	70159601	Igniter Cover	
7	70183001	Stove Back	
8	70229801P	Gas Burner	
9	70188801	Burner Grill	

Secondary Stove Limit

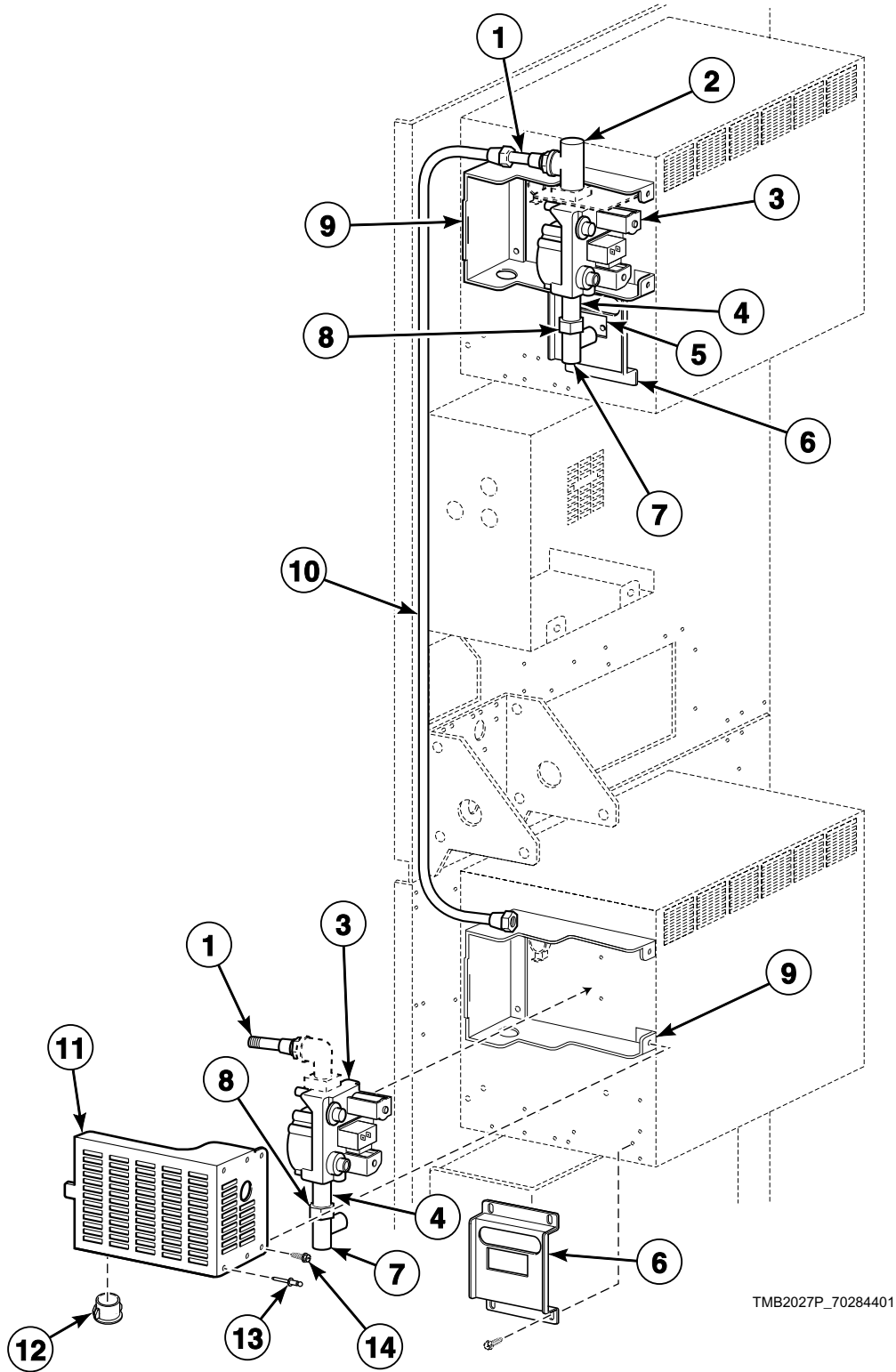


TMB1999K_70284401

Secondary Stove Limit

REF	PART NO.	DESCRIPTION	COMMENTS
	70233301	Gas Valve Bracket	
	70299101	Secondary Stove Limit Kit	Includes items 2, 5-10 and 70342901 Stove Back
1	M4746P3	Valve Bracket and Cover Kit	
2	430497	Screw	
3	M409219	Limit Thermostat	Non-Australian models
	70186301	Manual Reset Thermostat	Australian models
4	70297401	Stove Back	
5	70297001	Rear Limit Harness	
6	70299001	Limit Thermostat	
7	70112801	Thermistor Cover	
8	55881	Harness Strap	
9	M405188	Screw	
10	70203701	Pipe Clip	

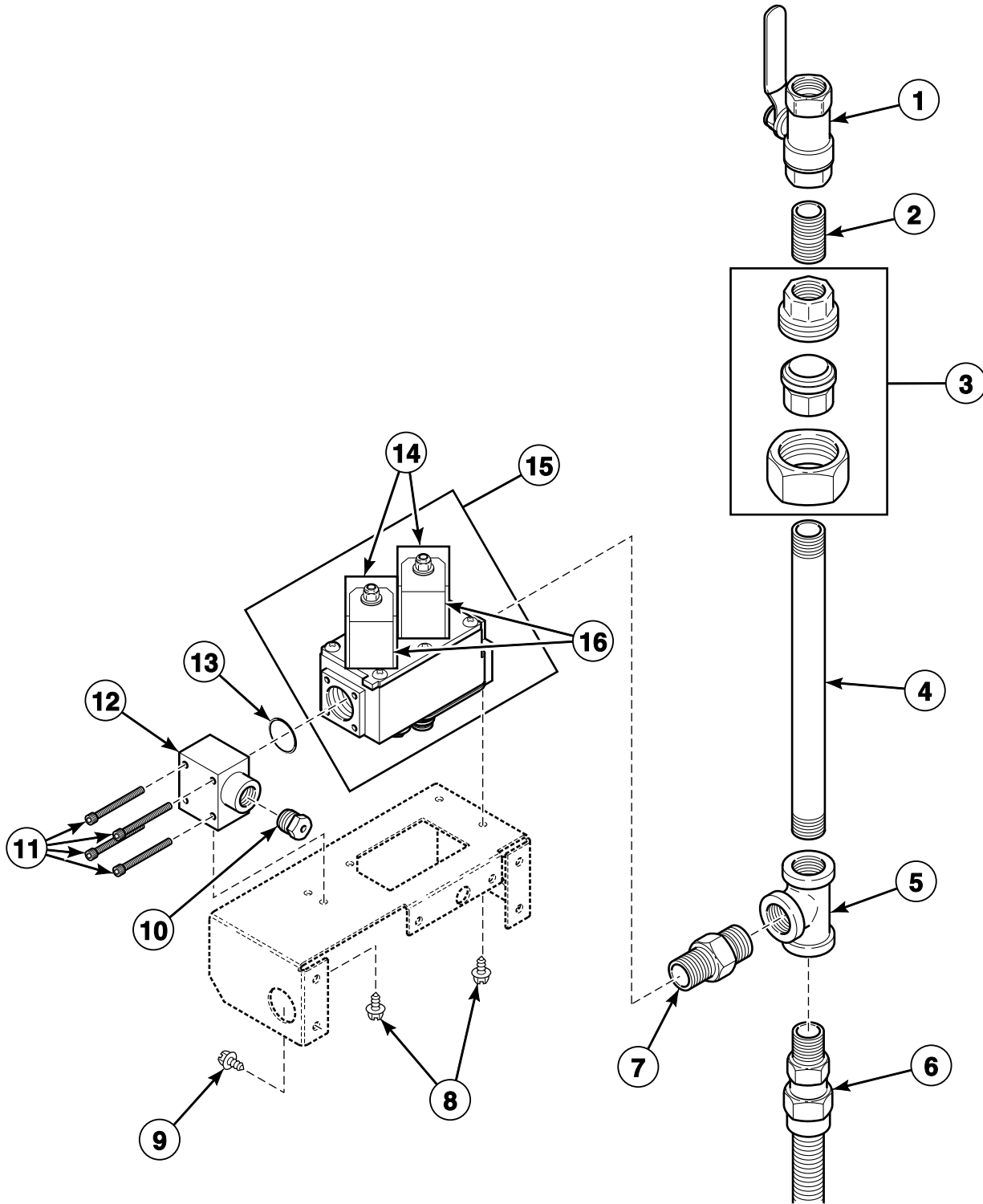
Gas Valve and Piping - Non-CE and Non-Australian Gas Models



Gas Valve and Piping - Non-CE and Non-Australian Gas Models

REF	PART NO.	DESCRIPTION	COMMENTS
	M406361	Burner Orifice	L.P. (Liquid Petroleum Gas); 0-2,000 feet; Drill no. 40 (2.5mm)
	M403017	Burner Orifice	L.P.; 2,001-6,000 feet; Drill no. 42 (2.4mm)
	M406184	Burner Orifice	L.P.; 6,000-8,000 feet; Drill no. 43 (2.3mm)
	M401011	Burner Orifice	L.P.; 8,001-10,000 feet; Drill no. 44 (2.2mm)
	M401002	Burner Orifice	N.G. (Natural Gas); 0-2,000 feet; Drill no. 20 (4.1mm)
	M402996	Burner Orifice	N.G.; 2,001-4,000 feet; Drill no. 22 (4.0mm)
	M402980	Burner Orifice	N.G.; 4,001-6,000 feet; Drill no. 24 (3.9mm)
	M401000	Burner Orifice	N.G.; 6,001-8,000 feet; Drill no. 26 (3.7mm)
	M401014	Burner Orifice	N.G.; 8,001-10,000 feet; Drill no. 28 (3.6mm)
	70184001	Gas Valve Harness Assembly	2 coil
	M412997	Harness Assembly	1 coil
1	70262601	Pipe	
2	70267501	Pipe Tee	
3	44154501P	Gas Valve	N.G.
	44154502P	Gas Valve	L.P.
4	70435901P	Orifice Adapter	
5	70249001	Orifice Keeper Bracket	
6	70248901	Orifice Holder Bracket	
7	70297801	Orifice Adapter	
8	M401548	Nut	
9	70282301	Forward Valve Cover	
10	70281601	Tube	
11	70282401	Rear Valve Cover	
12	M400770	Snap Bushing	
13	70058501	Pop Rivet	
14	430497	Screw	

Gas Valve and Piping - CE and Australian Gas Models



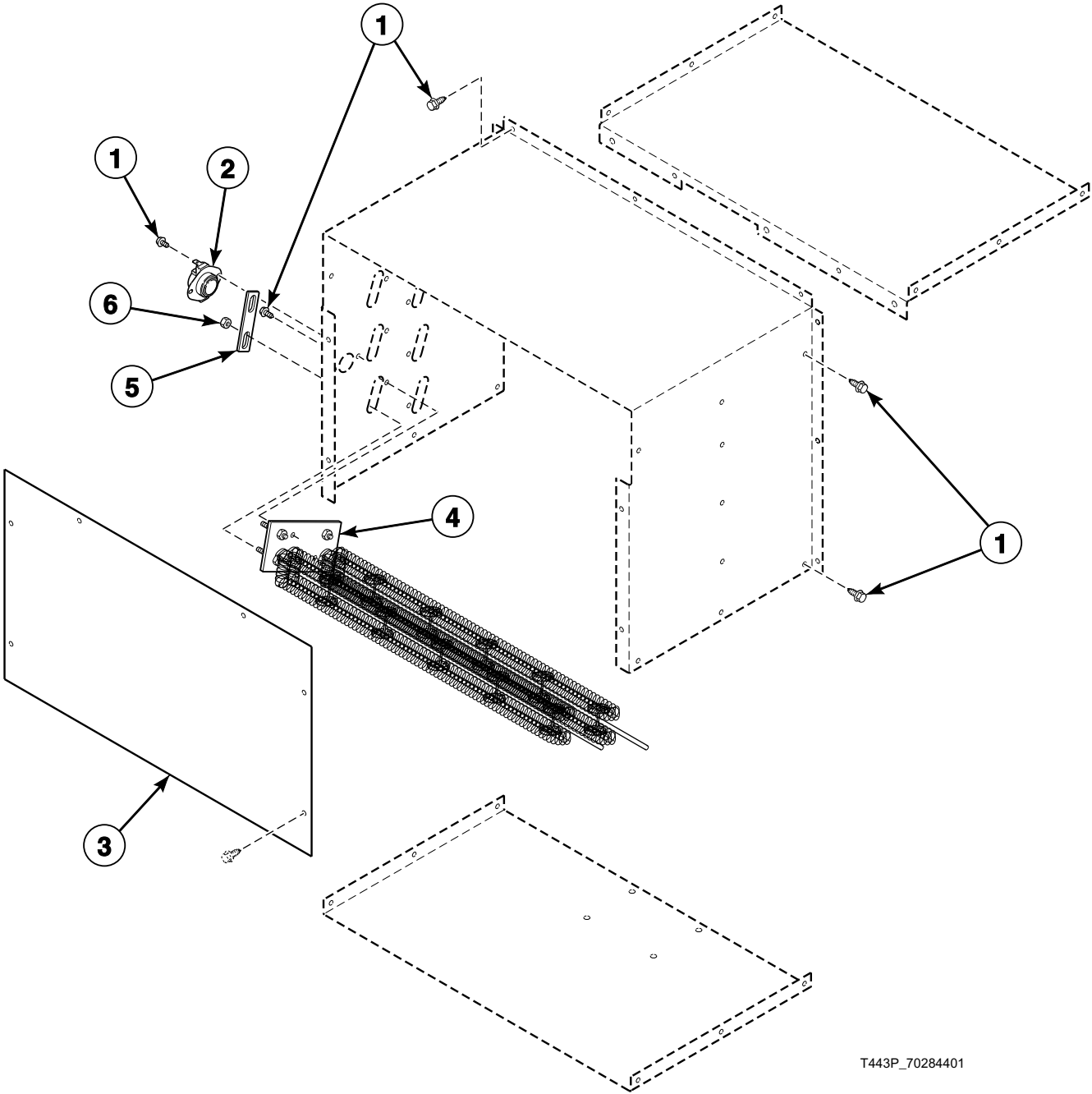
TMB2603P_70284401

Gas Valve and Piping - CE and Australian Gas Models

REF	PART NO.	DESCRIPTION	COMMENTS
	70079601	Elbow	90 degree; Lower unit
	M4707P3	L.P. Conversion Kit	0-2,000 feet; 146,000 Btu input; For 2 pocket conversion; Refer to Installation Manual for higher altitudes
	70184001	Gas Valve Harness Assembly	2 coil
	M412997	Harness Assembly	1 coil
	M4733P3	N.G. Valve Conversion Kit	Regulated
	M4734P3	L.P. Valve Conversion Kit	Unregulated
1	M412562P	Gas Shut-Off Valve	Upper unit
2	F420101	Nipple	
3	H86000031	Union	Upper unit
4	70139601	Pipe Nipple	9.5 inches; Upper unit
5	70071801	Tee	Upper unit
6	70203601	Gas Line Assembly	Lower to upper gas valve
7	70131901	Adapter	2 required; BPT to NPT
8	23222	Screw	
9	430497	Screw	
10	M406361	Burner Orifice	Liquid Petroleum Gas (L.P.); 0-2,000 feet; Drill no. 40 (2.5 mm)
	M403017	Burner Orifice	L.P.; 2,001-6,000 feet; Drill no. 42 (2.4 mm)
	M406184	Burner Orifice	L.P.; 6,001-8,000 feet; Drill no. 43 (2.3 mm)
	M401011	Burner Orifice	L.P.; 8,001-10,000 feet; Drill no. 44 (2.2 mm)
	M401002	Burner Orifice	Natural Gas (N.G.); 0-2,000 feet; Drill no. 20 (4.1 mm)
	M402996	Burner Orifice	N.G.; 2,001-4,000 feet; Drill no. 22 (4.0 mm)
	M402980	Burner Orifice	N.G.; 4,001-6,000 feet; Drill no. 24 (3.9 mm)
	M401000	Burner Orifice	N.G.; 6,001-8,000 feet; Drill no. 26 (3.7 mm)
	M401014	Burner Orifice	N.G.; 8,001-10,000 feet; Drill no. 28 (3.6 mm)
11	431484	Screw	
12	70223501	Spud Adapter	
13	431482	O-Ring	Spud adapter to valve
14	70260101	Gas Valve Coil	24 Volt
15	70457301P	N.G. Valve	
	70457302P	L.P. Valve	
16	70260601	Valve Coil Bracket	

NOTE: For CE and Australian gas and orifice information. Consult local gas supplier.

Electric Heater Components

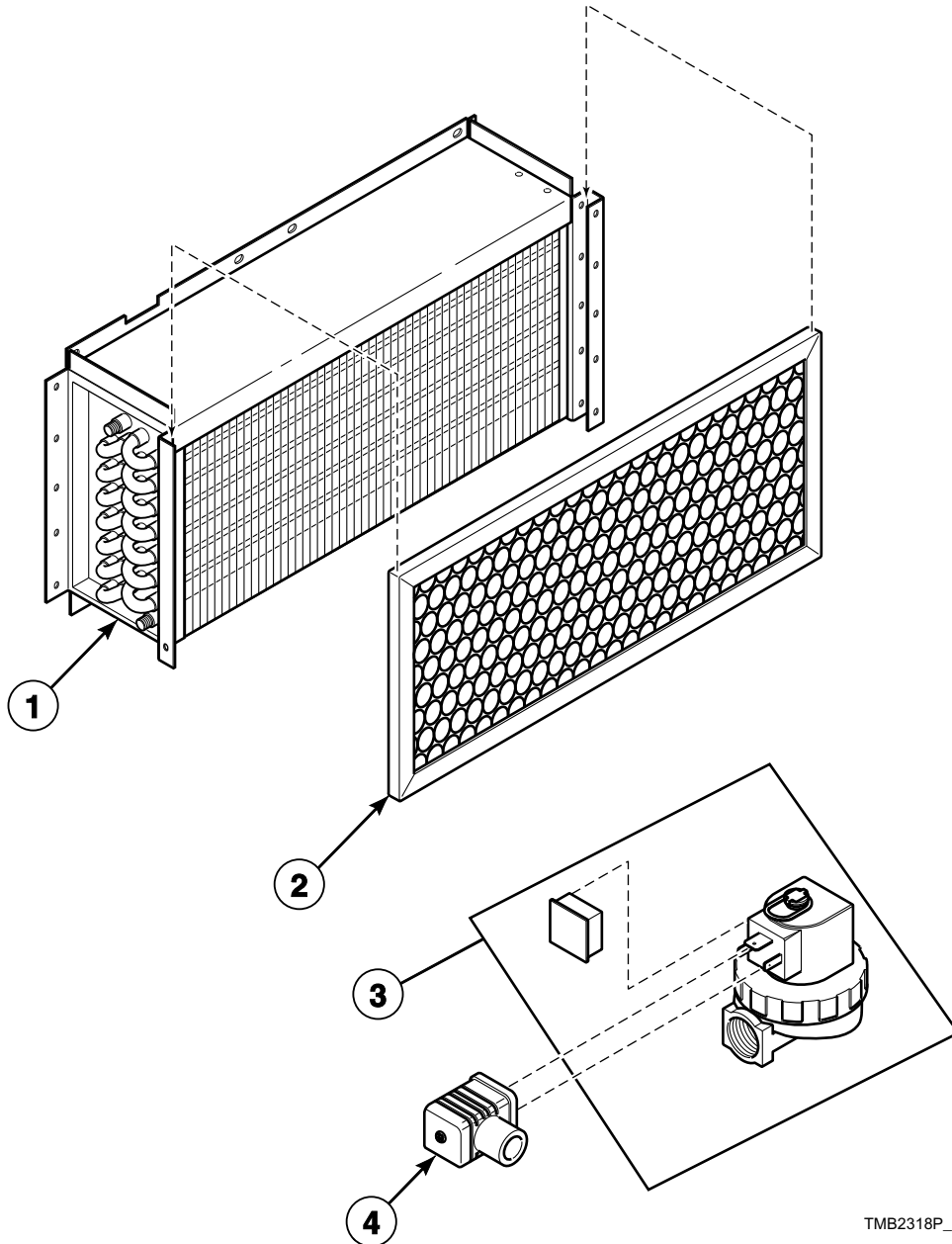


T443P_70284401

Electric Heater Components

REF	PART NO.	DESCRIPTION	COMMENTS
	70167901	Heater Cable Set Assembly	H1-H3
	70168001	Heater Cable Set Assembly	H4-H6; 240 Volt and below
1	430497	Screw	
2	M410220	Limit Thermostat	
3	70214901	Stove Grill	
4	70034401P	Heater Element	7 kW; 208 Volt
	70034402P	Heater Element	7 kW; 220 and 380 Volt
	70034403P	Heater Element	7 kW; 230, 240, 415 and 480 Volt
5	M400869	Jumper Strip	
6	Q6163	Nut	

Steam Heater Components

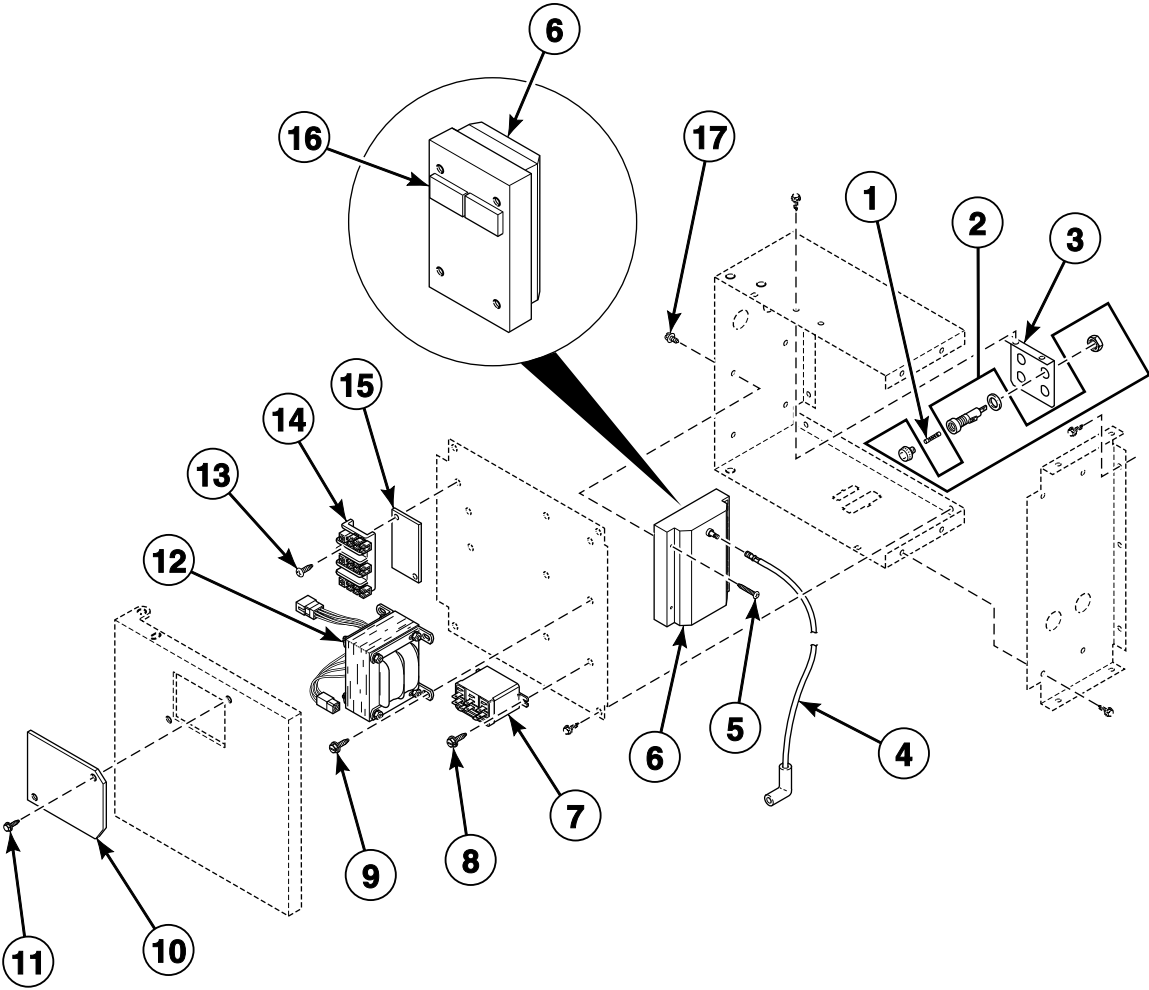


TMB2318P_70284401

Steam Heater Components

REF	PART NO.	DESCRIPTION	COMMENTS
	M409443	Limit Thermostat	
	70205701P	Steam Valve Coil	60 Hertz
	M412258	Steam Valve Coil	50 Hertz
1	70231301P	Steam Coil	
2	70036001	Air Filter	
3	70351001P	Steam Valve	60 Hertz
	F8322903	Steam Valve	50 Hertz
4	70370301P	Solenoid Valve DIN Connector	

Control Tray - Non-CE Gas Models



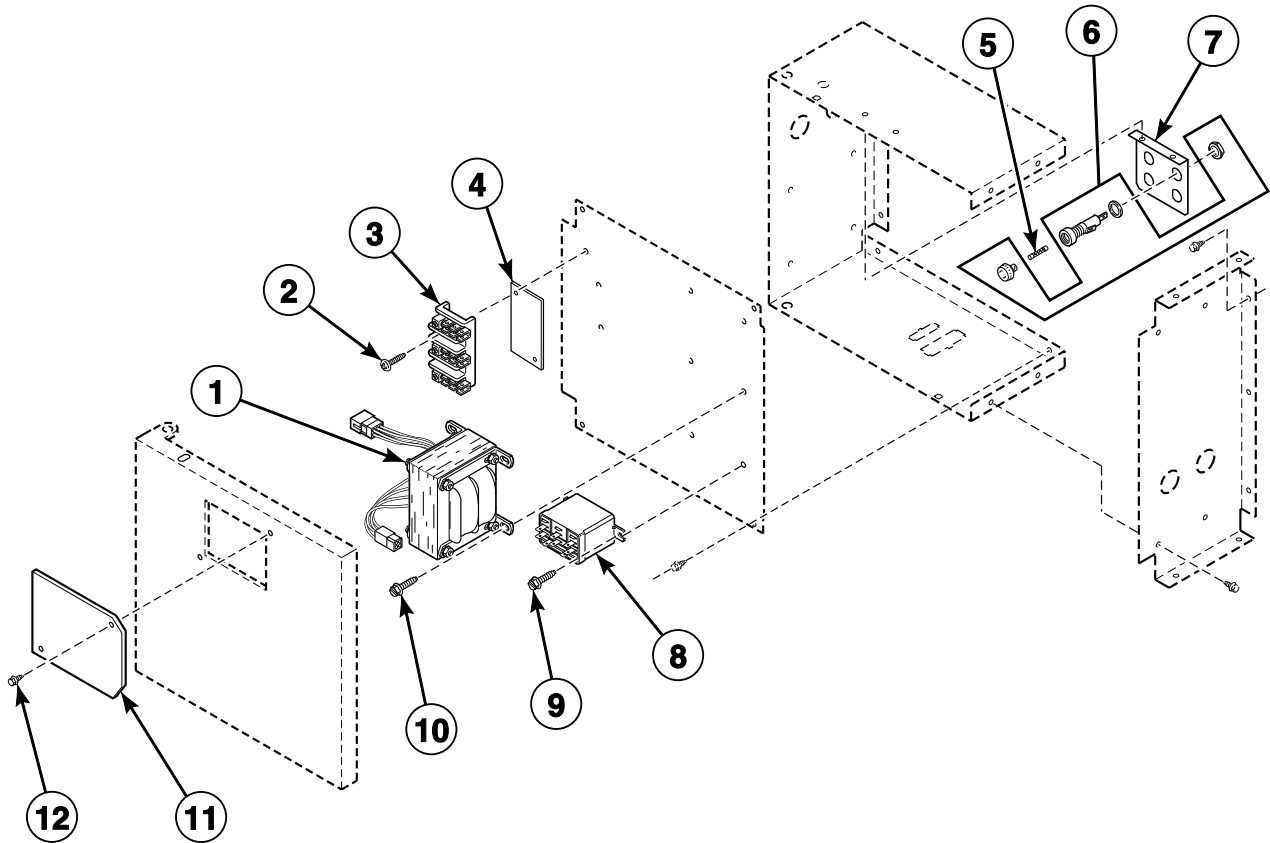
TMB2269P_70284401

Control Tray - Non-CE Gas Models

REF	PART NO.	DESCRIPTION	COMMENTS
	M413431	Pushbutton Switch	Australian models
	70085001P	Power Harness Assembly	1 Phase
	70111701	Power Harness Assembly	3 Phase
	70108801P	Power Harness	Upper to lower
	70204601	Junction Box Harness Assembly	
	M413504	Jumper Harness Assembly	100 Volt/50 or 60 Hertz/1 Phase
	M413506	Jumper Harness Assembly	208 Volt/60 Hertz/1 or 3 Phase
	M413509	Jumper Harness Assembly	415 Volt/50 Hertz/3 Phase
	M413508	Jumper Harness Assembly	380 Volt/50 Hertz/3 Phase
	70083201	Ignition Control Harness Assembly	Non-Australian models
	70083301P	Ignition Control Harness	Australian models
	M413507	Jumper Configuration Assembly	230-240 Volt/50 or 60 Hertz/3 Phase
	M413510	Jumper Configuration Assembly	480 Volt/60 Hertz/3 Phase
1	M413118	Fuse	2 Amp; 120 to 240 Volt
	M413621	Fuse	0.5 Amp; 380 Volt and above
	M414232	Fuse	3.5 Amp
	M414240	Fuse	2 Amp; 100 Volt
2	91024P	Fuse Receptacle	
	M413544P	Fuse Holder	380 Volt and above
3	70086301	Fuse Bracket	Low voltage
	70086401	Fuse Bracket	380 Volt and above
4	70006201	High Voltage Lead	
5	70118801	Screw	
6	70367401P	Ignition Control	Australian models
	70367301P	Ignition Control	Non-Australian models
7	70210901P	Relay	1 Phase
	M413614P	Fan Contactor	3 Phase
8	51778	Screw	For relay
	51780	Screw	For contactor
9	M411072	Screw	
10	N/A	Fuse Cover	
11	51780	Screw	
12	M414312P	Transformer	Dual output; 120 Volt/60 Hertz/1 Phase; BC, BL, BU, BX, BY, NC, NR, NX, NY, ZC, ZR, ZX and ZY control suffixes
	M414230P	Transformer	Single output; 120 Volt/60 Hertz/1 Phase; All except BC, BL, BU, BX, BY, NC, NR, NX, NY, ZC, ZR, ZX and ZY control suffixes
	M414228P	Transformer	Multitap; 200-240 Volt/60 Hertz/3 Phase; 200-240 Volt/50 Hertz/1 or 3 Phase
	M414229P	Transformer	Multitap; 380-480 Volt/50 or 60 Hertz/3 Phase
13	M405824	Screw	
14	430642	Terminal Block	
15	M413862	Insulator	
16	56128	Bumper Pad	2 required
17	38272	Screw	

N/A = Part no longer available

Control Tray - Non-CE Steam Models



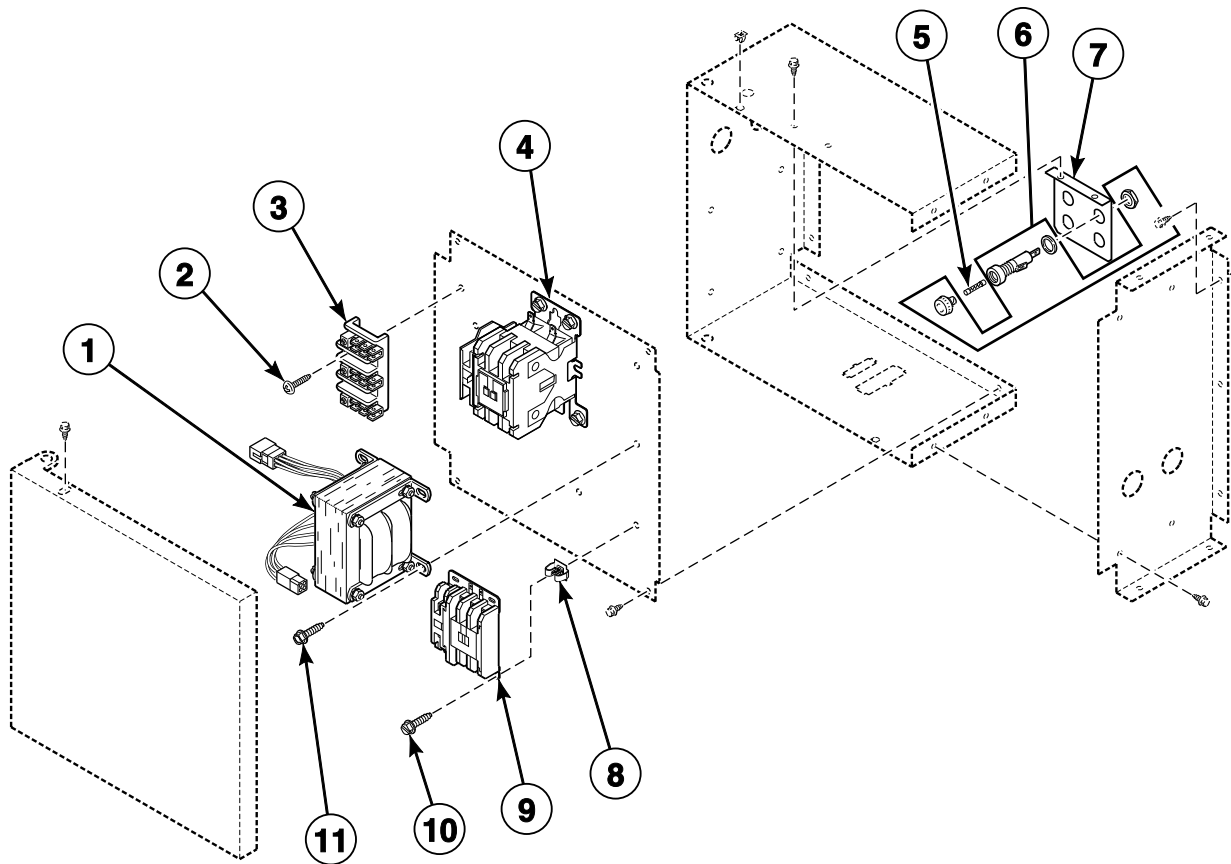
T425PZ3E_70284401

Control Tray - Non-CE Steam Models

REF	PART NO.	DESCRIPTION	COMMENTS
	M413507	Jumper Configuration Assembly	230 Volt/50 Hertz/1 or 3 Phase; 230-240 Volt/50 Hertz/1 Phase; 240 Volt/60 Hertz/3 Phase and 200-208, 240 Volt/60 Hertz/ 3 Phase
	M413510	Jumper Configuration Assembly	460-480 Volt/60 Hertz/3 Phase
	M413504	Jumper Harness Assembly	100 Volt/50 or 60 Hertz/1 Phase
	M413508	Jumper Harness Assembly	380 Volt
	M413509	Jumper Harness Assembly	415 Volt
	70085001P	Power Harness Assembly	1 Phase
	70111701	Power Harness Assembly	3 Phase
	70108801P	Power Harness	Upper to lower
	70113101	Steam Jumper Assembly	
	70204601	Junction Box Harness Assembly	
	M413878	Network Capacitor Harness Assembly	3O, 3V, 3X control suffixes
1	M414312P	Transformer	120 Volt/60 Hertz/1 Phase; 3O, 3V, 3X, BC, BL, BU, BX, BY, NC, NR, NX, NY, ZC, ZR, ZX and ZY control suffixes
	M414230P	Transformer	120 Volt/60 Hertz/1 Phase; All except 3O, 3V, 3X, BC, BL, BU, BX, BY, NC, NR, NX, NY, ZC, ZR, ZX and ZY control suffixes
	M414228P	Transformer	200-240 Volt/60 Hertz/3 Phase; 200-240 Volt/50 Hertz/1 or 3 Phase
	M414229P	Transformer	380-480 Volt/50 or 60 Hertz/3 Phase
2	M405824	Screw	
3	430642	Terminal Block	
4	M413862	Insulator	
5	M413118	Fuse	2 Amp; 120 to 240 Volt
	M413621	Fuse	0.5 Amp; 380 Volt and above
	M414232	Fuse	3.5 Amp
	M414240	Fuse	2 Amp; 100 Volt
6	91024P	Fuse Receptacle	
	M413544P	Fuse Holder	380 Volt and above
7	70086301	Fuse Bracket	Low voltage
	70086401	Fuse Bracket	380 Volt and above
8	70210901P	Relay	1 Phase
	M413614P	Fan Contactor	3 Phase
9	51778	Screw	For relay
	51780	Screw	For contactor
10	M411072	Screw	
11	N/A	Fuse Cover	
12	51780	Screw	

N/A = Part no longer available

Control Tray - Non-CE Electric Models

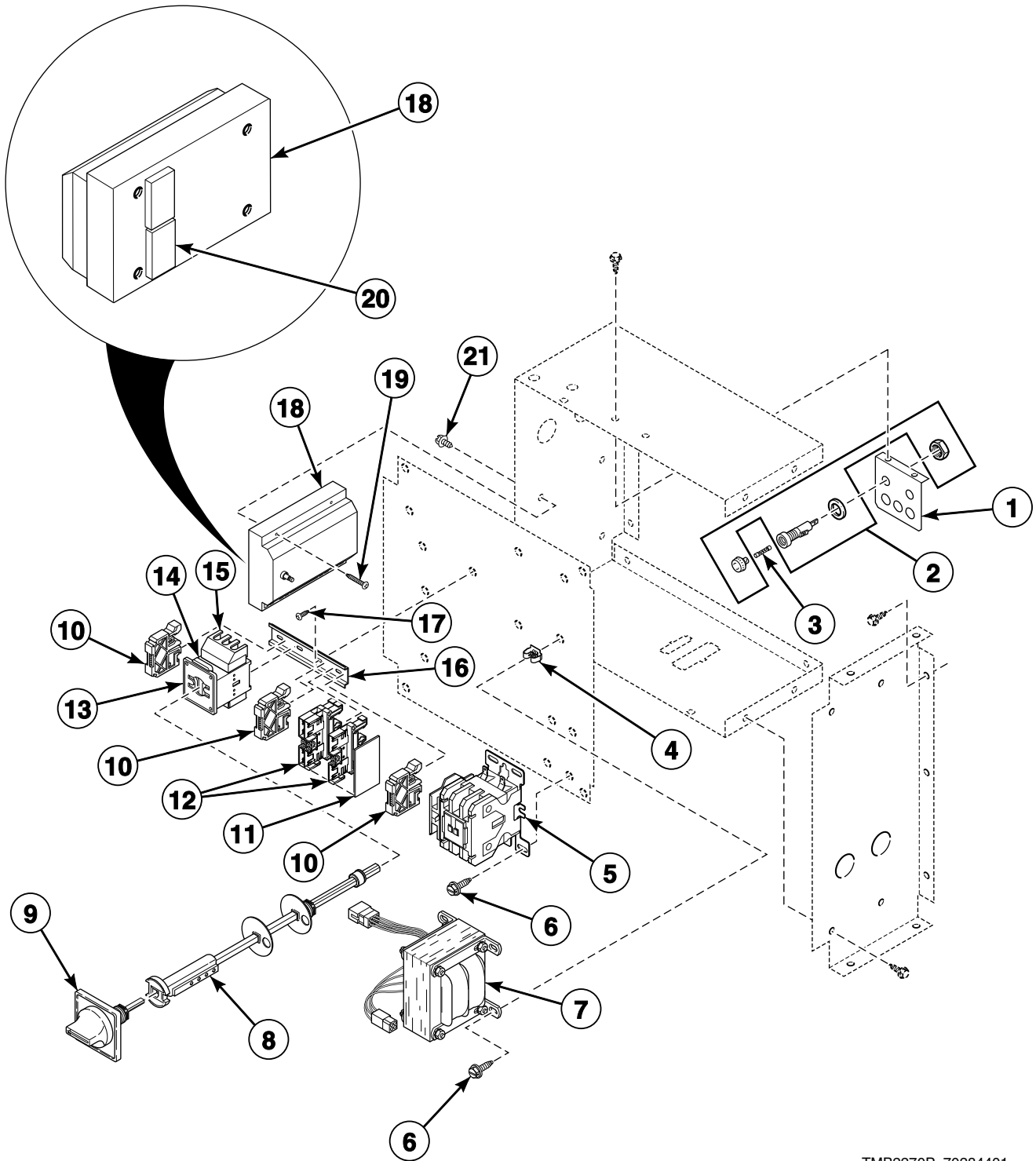


TMB2039P_70284401

Control Tray - Non-CE Electric Models

REF	PART NO.	DESCRIPTION	COMMENTS
	M4793P3	Coil Booster Kit	200-240 Volt models through Serial No. 0304xxxxx
	70139001	Jumper Assembly	6 required for 200-240 Volt
	70139101	Jumper Assembly	1 Phase; 8 gauge; Single wire; 11 inches
	M413933	Jumper Cable Assembly	8 gauge; Single wire; 7.5 inches; 6 required for 200-240 Volt/3 Phase; 4 required for 1 Phase
	M413934	Jumper Cable Assembly	1 Phase; 8 gauge; 8 inches
	M413507	Jumper Configuration Assembly	230-240 Volt/50 or 60 Hertz/3 Phase
	M413510	Jumper Configuration Assembly	480 Volt/60 Hertz/3 Phase
	44129201P	Jumper Harness	200-240 Volt; 2 wire jumper set
	M413506	Jumper Harness Assembly	208 Volt/60 Hertz/1 or 3 Phase
	M413508	Jumper Harness Assembly	380 Volt/50 Hertz/3 Phase
	M413509	Jumper Harness Assembly	415 Volt/50 Hertz/3 Phase
	70236001	Junction Box Harness Assembly	Models through Serial No. 0304xxxxx
	70293001	Junction Box Harness	Models starting Serial No. 0304xxxxx; 240 Volt and below
	70286501	Network Capacitor Harness Assembly	3O, 3V, and 3X control suffixes
1	M414228P	Transformer	200-240 Volt/60 Hertz/3 Phase; 200-240 Volt/50 Hertz/1 or 3 Phase
	M414229P	Transformer	380-480 Volt/50 or 60 Hertz/3 Phase
2	39733	Screw	
3	M413865	Terminal Block	
4	M4919P3	Electric Heater Contactor Kit	2 required for 200-240 Volt models through Serial No. 0304xxxxx; 1 required for 380-480 Volt
	70293201P	Electric Contactor	2 required for 200-240 Volt models starting Serial No. 0304xxxxx
5	M413118	Fuse	2 Amp; 240 Volt and below
	M414232	Fuse	3.5 Amp
	M413621	Fuse	0.5 Amp; 380 Volt and above
6	91024P	Fuse Receptacle	
	M413544P	Fuse Holder	380 Volt and above
7	70086301	Fuse Bracket	Low voltage
	70086401	Fuse Bracket	380 Volt and above
8	70030501	Expansion Clip	
9	M413614P	Fan Contactor	
10	51780	Screw	For contactor
11	M411072	Screw	

Control Tray - CE Gas Models



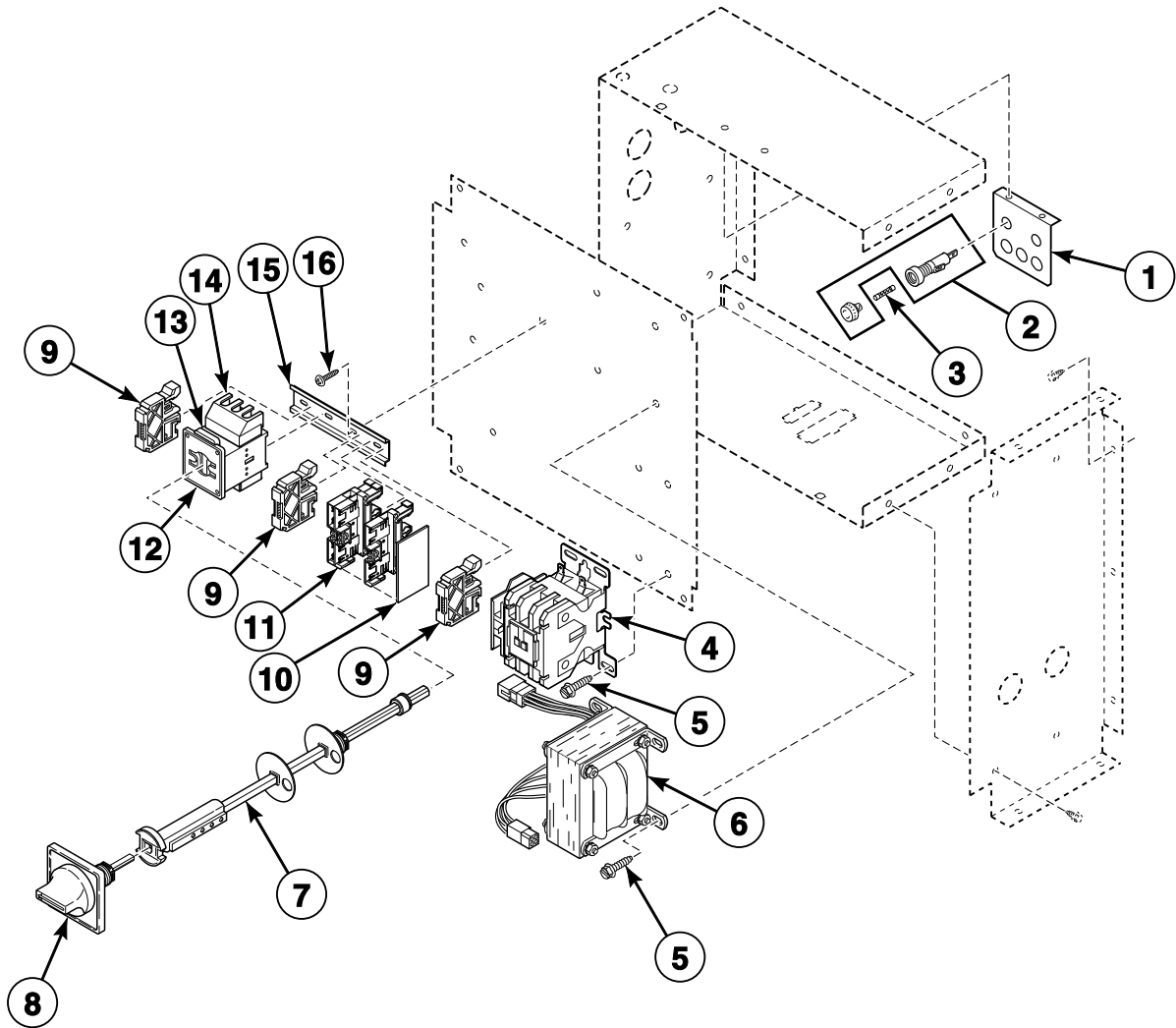
TMB2270P_70284401

Control Tray - CE Gas Models

REF	PART NO.	DESCRIPTION	COMMENTS
	70006201	High Voltage Lead	
	M413507	Jumper Configuration Assembly	230 Volt/50 Hertz/1 Phase
	70083301P	Ignition Control Harness	
	70120901	Jumper Disconnect Assembly	
	M413508	Jumper Harness Assembly	380 Volt/50 Hertz/3 Phase
	M413509	Jumper Harness Assembly	415 Volt/50 Hertz/3 Phase
	70085001P	Power Harness Assembly	1 Phase
	70111701	Power Harness Assembly	3 Phase
	70108801P	Power Harness	Upper to lower
	70204601	Junction Box Harness Assembly	
1	70124101	Fuse Bracket	240 Volt and below
	70124201	Fuse Bracket	380 Volt and above
2	502591P	Fuse Holder Kit	
	M413544P	Fuse Holder	380 Volt and above
3	M413621	Fuse	0.5 Amp; 2 required; 380 Volt and above
	M413867	Fuse	2 Amp; 2 required; 240 Volt and below
	M413889	Fuse	4 Amp; 1 required
4	70030501	Expansion Clip	
5	M413614P	Fan Contactor	
6	33562	Screw	
7	M414228P	Transformer	230 Volt
	M414229P	Transformer	380-480 Volt/50 or 60 Hertz/3 Phase
8	M412370	Extension Handle	
9	M412208	Handle	
10	70121001	End Stop	3 required
11	70121101	End Cover	1 required
12	70120001	Terminal Block	3 required per machine
13	M412368	Door Interlock	20 Amp
14	M412187P	Mounting Switch Base	
15	M412366	Finger Guard	
16	N/A	Din Rail	101 mm
17	430497	Screw	
18	70367401P	Ignition Control	
19	M405824	Screw	
20	56128	Bumper Pad	2 required
21	38272	Screw	

N/A = Part no longer available

Control Tray - CE Steam Models



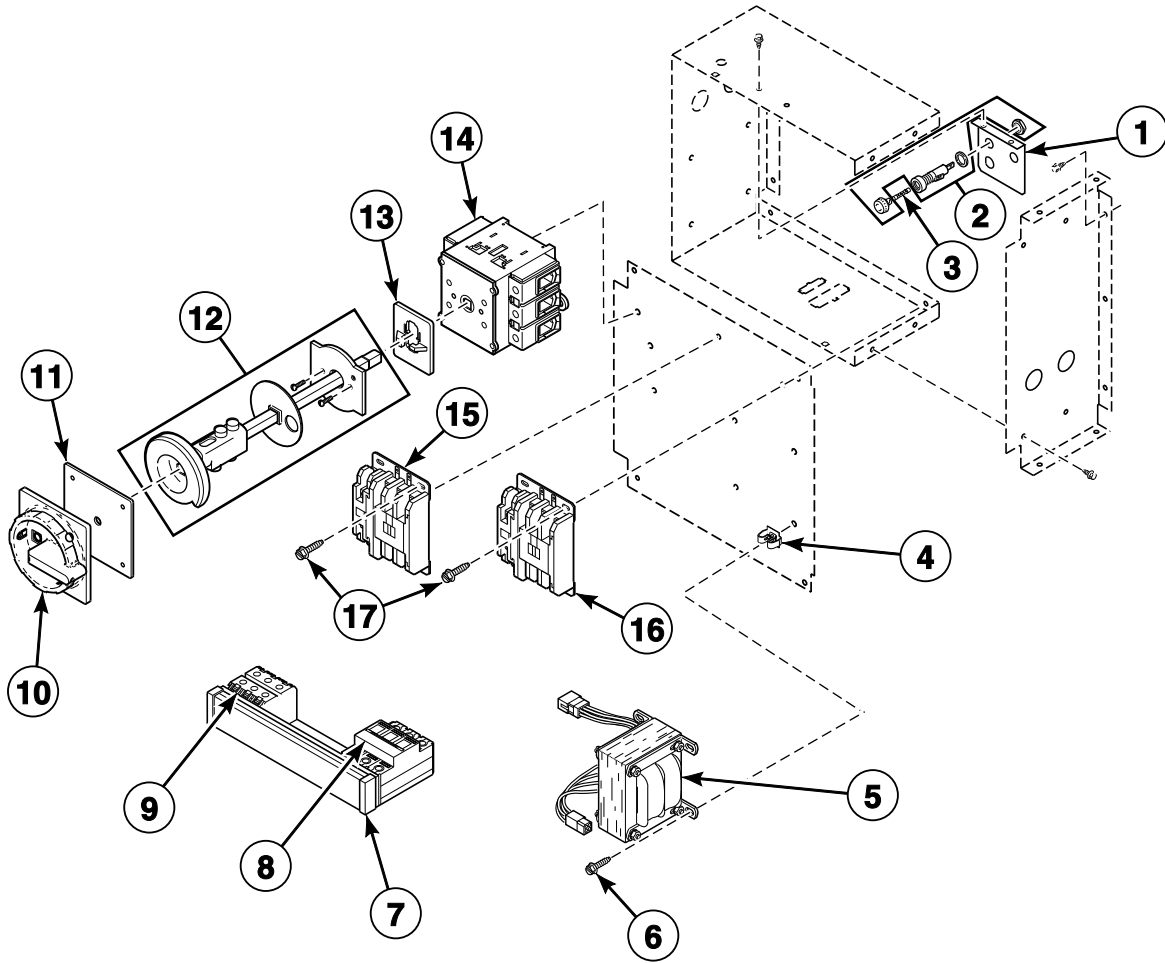
TMB2002P_70284401

Control Tray - CE Steam Models

REF	PART NO.	DESCRIPTION	COMMENTS
	M413507	Jumper Configuration Assembly	230 Volt/50 Hertz/1 Phase
	70120901	Jumper Disconnect Assembly	
	M413508	Jumper Harness Assembly	380 Volt/50 Hertz/3 Phase
	M413509	Jumper Harness Assembly	415 Volt/50 Hertz/3 Phase
	70085001P	Power Harness Assembly	1 Phase
	70111701	Power Harness Assembly	3 Phase
	70108801P	Power Harness	Upper to lower
	70113101	Steam Jumper Assembly	
	70204601	Junction Box Harness Assembly	
	M413878	Network Capacitor Harness Assembly	3O, 3V, and 3X control suffixes
1	70124101	Fuse Bracket	240 Volt and below
	70124201	Fuse Bracket	380 Volt and above
2	502591P	Fuse Holder Kit	
	M413544P	Fuse Holder	380 Volt and above
3	M413621	Fuse	0.5 Amp; 2 required; 380 Volt and above
	M413867	Fuse	2 Amp; 2 required; 240 Volt and below
	M413889	Fuse	4 Amp; 1 required
4	M413614P	Fan Contactor	
5	33562	Screw	
6	M414228P	Transformer	230 Volt
	M414229P	Transformer	380-480 Volt/50 or 60 Hertz/3 Phase
7	M412370	Extension Handle	
8	M412208	Handle	
9	70121001	End Stop	3 required
10	70121101	End Cover	1 required
11	70120001	Terminal Block	3 required per machine
12	M412368	Door Interlock	20 Amp
13	M412187P	Mounting Switch Base	
14	M412366	Finger Guard	
15	N/A	Din Rail	101 mm
16	430497	Screw	

N/A = Part no longer available

Control Tray - H, P and S CE Electric Models Through Serial No. 0112006348



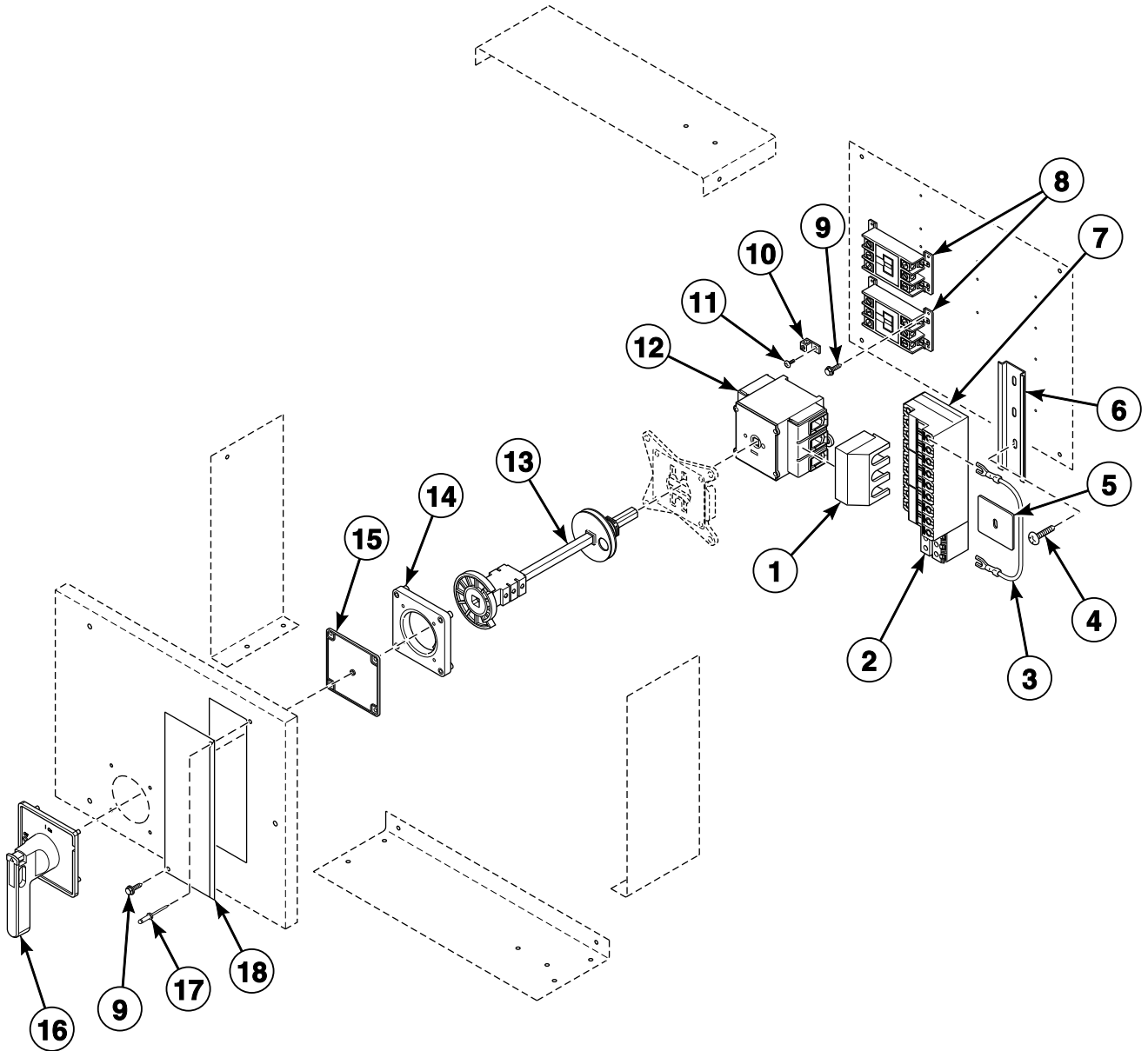
TMB2041P_70284401

Control Tray - H, P and S CE Electric Models Through Serial No. 0112006348

REF	PART NO.	DESCRIPTION	COMMENTS
	N/A	Din Rail	For circuit breaker; 51 mm
	M412692	Din Rail	For terminal blocks; 89 mm
	M413508	Jumper Harness Assembly	380 Volt/50 Hertz/3 Phase
	M413509	Jumper Harness Assembly	415 Volt/50 Hertz/3 Phase
	44129201P	Jumper Harness	200-240 Volt; 2 wire jumper set
	70236001	Junction Box Harness Assembly	
	70138901	Jumper Assembly	230 Volt/50 Hertz/1 Phase; 2 gauge; 7.5 inches
	M412740	Jumper Cable Wire	6 required; 8 gauge; 5.75 inches
	M414121	Jumper Cable Assembly	230 Volt/1 or 3 Phase
	M413934	Jumper Cable Assembly	3 required for 380 or 415 Volt/3 Phase
	M4793P3	Coil Booster Kit	200-240 Volt models through Serial No. 0304xxxxx
1	70124201	Fuse Bracket	
2	502591P	Fuse Holder Kit	250 Volt
	M413544P	Fuse Holder	600 Volt
3	M413621	Fuse	0.5 Amp; 600 Volt
	M413889	Fuse	4 Amp; 250 Volt
4	70030501	Expansion Clip	
5	M414229P	Transformer	
6	M411072	Screw	
7	N/A	Buss Bar Assembly	9 position
8	M412407P	Circuit Breaker	8 Amp
9	M412045P	Terminal Block	3 pole; 2 required for 380-415 Volt
10	70268001	Handle	
11	N/A	Disconnect Switch Gasket	
12	M412371P	Extension Handle	
13	M412368	Door Interlock	
14	M412186	Mounting Switch Base	
15	M4919P3	Electric Heater Contactor Kit	2 required for 200-240 Volt models through Serial No. 0304xxxxx; 1 required for 380-480 Volt
	70293201P	Electric Contactor	2 required for 200-240 Volt models starting Serial No. 0304xxxxx
16	M413614P	Fan Contactor	
17	33562	Screw	

N/A = Part no longer available

Control Tray - C, D, H, P and S CE Electric Models Starting Serial No. 0112006348



TMB2677P_70284401

Control Tray - C, D, H, P and S CE Electric Models Starting Serial No. 0112006348

REF	PART NO.	DESCRIPTION	COMMENTS
	M412740	Jumper Cable Wire	8 gauge; 5.75 inches
	70236001	Junction Box Harness Assembly	Models through Serial No. 0304xxxxx
	70293001	Junction Box Harness	Models starting Serial No. 0304xxxxx; 240 Volt and below
	M4793P3	Coil Booster Kit	200-240 Volt models through Serial No. 0304xxxxx
	70138801	Jumper Assembly	3 Phase; 6 gauge; Single wire; 8 inches
	M413508	Jumper Harness Assembly	380 Volt/50 Hertz/3 Phase
	M413509	Jumper Harness Assembly	415 Volt/50 Hertz/3 Phase
	44129201P	Jumper Harness	200-240 Volt; 2 wire jumper set
	70286501	Network Capacitor Harness Assembly	3O, 3V, and 3X control suffixes
1	M412367	Finger Guard	
2	M413865	Terminal Block	230 Volt/50 Hertz/1 Phase or 380-415 Volt/50 Hertz/3 Phase
3	70260201	Jumper Wire	10 inch
	M414121	Jumper Cable Assembly	6.75 inch
	M413933	Jumper Cable Assembly	7.5 inch
4	430497	Screw	
5	44014901P	Power Distribution Block Cover	
6	N/A	Din Rail	380-415 Volt/50 Hertz/3 Phase; 127 mm
	M412693	Din Rail	380-415 Volt/50 Hertz/3 Phase; 165 mm
7	M412401	Circuit Breaker	230 Volt/50 Hertz/1 Phase; 8 Amp
	M412402	Circuit Breaker	230 Volt/50 Hertz/1 or 3 Phase; 32 Amp
	M412406	Circuit Breaker	230 Volt/50 Hertz/1 or 3 Phase; 40 Amp
	M412407P	Circuit Breaker	380-415 Volt/50 Hertz/3 Phase; 8 Amp
	M412408P	Circuit Breaker	230 Volt/50 Hertz/1 or 3 Phase; 50 Amp
8	M4919P3	Electric Heater Contactor Kit	2 required for 200-240 Volt models through Serial No. 0304xxxxx; 1 required for 380-415 Volt
	70293201P	Electric Contactor	2 required for 200-240 Volt models starting Serial No. 0304xxxxx
9	39733	Screw	
10	M411283	Ground Lug Connector	
11	M402917	Screw	
12	M412186	Mounting Switch Base	100 Amp
13	M412371P	Extension Handle	
14	M412369	Door Interlock	
15	N/A	Disconnect Switch Gasket	
16	70268001	Handle	
17	70058501	Pop Rivet	
18	70133901	Electrical Box Access Cover	

N/A = Part no longer available

Parts Index

A

Adapter	
70131901	67
Adhesive	
511637P	53
Air Filter	
70036001	71
Airflow Switch	
70267301	59
Airflow Switch Bracket	
70266301	59
Airflow Switch Kit	
70270901P	59
Airflow Switch Plate	
70271601	59
Airflow Switch Vane	
70266201	59
Audit Switch Bracket	
70183901	23, 29
70292601	15, 21, 27

B

Baffle Gasket	
70015701	49, 51
70015705	49, 51
Belt	
70276201P	55
Belt and Idler Kit	
M4781P3	55
M4782P3	55
Belt Tension Tool Kit	
M4853P3	55
Blower Assembly	
70359801P	57
Blower Housing Cover Assembly	
70299201	57
Blower Housing Scroll	
70218101	57
Blower Inlet Cone	
70014101	57
Blower Motor	
70337501P	57
70342601P	57
Blower Motor Kit	
70337601P	57
70337701P	57
Bolt	
70062401	55
70392801	53
Bumper Pad	
56128	73, 79
Burner Grill	
70188801	61
Burner Orifice	
M401000	65, 67
M401002	65, 67
M401011	65, 67

M401014	65, 67
M402980	65, 67
M402996	65, 67
M403017	65, 67
M406184	65, 67
M406361	65, 67

C

Cabinet Strap	
70058301	51
Cam and Hinge Kit	
M4772P3	37
Card Reader	
39685P	17
Card Reader and Bracket Assembly	
510068P	31
Card Reader Harness Assembly	
431613	17
70211801	31
Card Reader Network Harness Assembly	
70206601	31
Card Reader Overlay	
70334201	23
70334301	23
Center Cylinder Seal Assembly	
70066003	49, 51
Center Pan	
70338601	49
Center Partition	
70252701	49, 51
Chassis Mounting Bracket	
70119001	17, 23
Circuit Board Support	
34896	9, 13
70178801	9, 13
Circuit Breaker	
M412401	85
M412402	85
M412406	85
M412407P	83, 85
M412408P	85
Clip	
70226701	49, 51, 57
Coil Booster Kit	
M4793P3	77, 83, 85
Coil Spring	
M402455	11
Coin Carrier Spring	
M405138A	11
Coin Cover Overlay	
70246301	21
Coin Drop	
38963P	7, 25
39748	7, 25
70256402P	7, 25
70441601P	7, 25
Coin Drop Assembly	
210195	7, 25
210196	7, 25

N/A items do not appear in index.

38462P.....	7, 25	Control Harness Assembly	
38463.....	7, 25	70055801P	15
38464P.....	7, 25	Control Housing	
38467.....	7, 25	70119901	39
38472.....	7, 25	Control Housing Cover	
38475.....	7, 25	70203201	33
38519.....	7, 25	Control Kit	
38521.....	7, 25	M414049P	15, 17
39157.....	7, 25	505905P	29, 31
70283102.....	7, 25	Control Panel Harness	
70441602.....	7, 25	70279801	19
Coin Drop Kit		Control Panel Harness Assembly	
CK077.....	7, 25	70082701P	15
CK090.....	15	70206301P	21, 29, 31
Coin Drop Overlay		70235801	21, 29, 31
39564.....	21	70236301	13
Coin Identification Paper		70236401P	9
38725.....	25	70280901	19
Coin Meter		Control Plate Assembly	
M412546.....	11	70348901	23, 31
70112501P.....	11	70349001	23, 31
70112701P.....	11	Control Plate Kit	
70137301P.....	11	70279301P	7, 19
70137401P.....	11	70291101P	21, 27
70138401P.....	11	70291201P	21, 27
70151301.....	11	Control Trim	
70262401.....	11	70116901	39
Coin Meter Control Kit		70116902	39
M4723P3.....	9	70117001	39
Coin Meter Drive		70120501	39
M400754.....	11	Control Wire Harness Assembly	
Coin Retainer Spring		70236501P	15
M406297.....	11	Cylinder Assembly	
Coin Vault Assembly		70372501P	53
70180101.....	51	70372502P	53
Coin Vault Trim		Cylinder Bearing Stud Plate Assembly	
70117501.....	41	430352	53
70117502.....	41	Cylinder Channel Kit	
Communication Board		M4762P3.....	53
210097.....	35	Cylinder Guide Tool	
Communication Board Bracket		263P4.....	53
70205401.....	35	Cylinder Idler Arm	
Communication Harness Assembly		70259901	55
70211101.....	33	Cylinder Idler Bracket	
Contact Block		70261601	55
44018701.....	43	Cylinder Motor Harness Assembly	
Control Assembly		70080101P	55
511867P.....	21, 23	70085201	55
70462303P.....	19		
70462304P.....	19		
70462367P.....	19		
70462368P.....	19		
Control Door Assembly			
70175901.....	15		
70175902.....	15		
70175903.....	17		
70175904.....	17		
70175905.....	13		
70175906.....	13		
70175907.....	9		
70175908.....	9		
70175909.....	29		
70175910.....	29		
70175911.....	31		
Control Door Latch			
431318.....	9, 13, 15, 17, 29, 31		

D

Data Connector, 3 Circuit	
210155	35
Din Rail	
M412692	83
M412693	85
Door Assembly	
44046701	37
44058001P	37
44058002	37
70064100	37
70212200	37
70212300	37

N/A items do not appear in index.

Door Glass			
M400784P	37	70294103P	25
70133601P	37	70294104	25
Door Glass Seal Kit		70294105P	25
70211901P	37	70294106	25
Door Handle		70294107	25
M400133	37	70294110	25
430117	37	70294116	25
44007902P	37	Electronic Coin Drop Harness	
Door Hinge		44065801	25
70115901*	37	Electronic Coin Drop Kit	
70115902	37	CK099	25
Door Hinge Lug Assembly		CK100	25
44035001	37	CK101	25
Door Interlock		CK103	25
M412368	79, 81, 83	CK108	25
M412369	85	CK109	25
Door Latch		CK113	25
M401223	39, 41	CK115	25
Door Ring		CK116	25
70081801	37	CK117	25
70081901	37	CK118	25
70082001	37	CK502	25
Door Ring and Handle Assembly		Electronic Control Kit	
44043501	37	M4691P3	15
Door Ring Gasket		M4692P3	15
70296801	37	M4721P3	15
Door Switch Actuator Kit		M4722P3	15
70215001P	37	Emergency Stop Harness	
Door Switch Harness		70364101P	43
70108401P	41	Emergency Stop Label	
Drive Access Cover		M412235	43
70202501	55	Emergency Stop Switch Harness Assembly	
Drive Motor		70083901	43
70337801P	55	70235301	43
70338101P	55	End Cap	
Drive Motor Kit		70070101	53
70337901P	55	End Cover	
70338001P	55	70121101	79, 81
Drum Idler Spring		End Stop	
70045301	55	70121001	79, 81
Drywall Screw Magnet Kit		Exhaust Duct Assembly	
70343101P	53	70246201	57
Dual Overlay Kit		Exhaust Duct Gasket	
70217001P	15	70225501	57
70217101P	15	Expansion Clip	
70217201P	15	70030501	49, 51, 77, 79, 83
70217301P	15	Extension Handle	
Duct Cover		M412370	79, 81
70207501	57	M412371P	83, 85
<hr/>			
E		F	
Elbow		False Front Kit	
70079601	67	70371701*P	43
Electric Contactor		70371702P	43
70293201P	77, 83, 85	Fan Contactor	
Electric Heater Contactor Kit		M413614P	73, 75, 77, 79, 81, 83
M4919P3	77, 83, 85	Fan Motor Harness Assembly	
Electrical Box Access Cover		70080201P	57
70133901	85	70085101	57
Electronic Coin Drop Assembly		Finger Guard	
70294101P	25	M412366	79, 81
		M412367	85

N/A items do not appear in index.

Forward Valve Cover 70282301	65
Front Panel Baffle Seal 70017301	39, 41
Front Panel Insulation 70155301	39, 41
Front Panel Seal 70173401P	39, 41
Fuse	
M413118	73, 75, 77
M413621	73, 75, 77, 79, 81, 83
M413867	79, 81
M413889	79, 81, 83
M414232	73, 75, 77
M414240	73, 75
70406501	21
Fuse Bracket	
70086301	73, 75, 77
70086401	73, 75, 77
70124101	79, 81
70124201	79, 81, 83
Fuse Holder	
M413544P	73, 75, 77, 79, 81, 83
Fuse Holder Kit 502591P	79, 81, 83
Fuse Receptacle 91024P	73, 75, 77

G

Gas Burner 70229801P	61
Gas Line Assembly 70203601	67
Gas Shut-Off Valve M412562P	67
Gas Valve	
44154501P	65
44154502P	65
Gas Valve Bracket 70233301	63
Gas Valve Coil 70260101	67
Gas Valve Harness Assembly 70184001	65, 67
Graphic Overlay	
70279101	7, 19
70279201	7, 19
70279202	7, 19
Ground Lug Connector M411283	85

H

Handle	
M412208	79, 81
70268001	83, 85
Harness Assembly M412997	65, 67
Harness Strap 55881	63

Heater Cable Set Assembly	
70167901	69
70168001	69
Heater Element	
70034401P	69
70034402P	69
70034403P	69
High Voltage Lead 70006201	73, 79
Hole Plug 44024201	37

I

Idler Assembly Service Kit 70275501P	55
Idler Bracket 70443301	55
Idler Wheel Assembly 70050401P	55
Igniter Cover 70159601	61
Ignition Control	
70367301P	73
70367401P	73, 79
Ignition Control Harness 70083301P	73, 79
Ignition Control Harness Assembly 70083201	73
Indicator Light 70082201	9, 13
Insulator M413862	73, 75
Interlock Harness Assembly 70084801P	61

J

Jumper Assembly	
70138801	85
70138901	83
70139001	77
70139101	77
Jumper Bypass Assembly 70084001	17, 51
Jumper Cable Assembly	
M413933	77, 85
M413934	77, 83
M414121	83, 85
Jumper Cable Wire M412740	83, 85
Jumper Calibration Assembly	
70084203	15
70211703P	21, 29, 31
Jumper Configuration Assembly	
M413507	73, 75, 77, 79, 81
M413510	73, 75, 77
70084103	9, 13
Jumper Disconnect Assembly 70120901	79, 81
Jumper Harness 44129201P	77, 83, 85

N/A items do not appear in index.

Jumper Harness Assembly	
M413504	73, 75
M413506	73, 77
M413508	73, 75, 77, 79, 81, 83, 85
M413509	73, 75, 77, 79, 81, 83, 85
Jumper Strip	
M400869	69
Jumper Wire	
70260201	85
Junction Box Harness	
70293001	77, 85
Junction Box Harness Assembly	
70204601	73, 75, 79, 81
70236001	77, 83, 85

K

Key	
70144101	57
70155601	39
70155602	45
Kickplate	
70117605	41
70117606	41
Knob	
M400773	13
M410927	13
44020502	9, 13

L

Label	
70286601	39
Latch Mounting Bracket	
70119801	7, 9, 13
70184501	29, 31
Limit Thermostat	
M409219	61, 63
M409443	71
M410220	69
M411307	57
70299001	63
Lint Drawer Front Kit	
70322901P	45
70322902P	45
Lint Drawer Gasket	
70117901P	39, 41
Lint Drawer Handle	
70320801	45
70320802	45
Lint Drawer Handle Plate	
70323201	45
Lint Frame Gasket	
70333101	45
Lint Screen Assembly	
70290601	45
Lint Screen Bracket	
70026901	45
Lock Mounting Clip	
44087401	45
Lock Shim	
70342401	45

70342402	45
Lock, Key and Nut Kit	
44089301P	39
44089302P	45
Lower Front Panel Assembly	
70176101*P	41
70176102P	41
70176103*P	41
70176104P	41
70176106	41
70176107*P	41
70176108	41
L.P. Conversion Kit	
M4707P3	67
L.P. Valve	
70457302P	67
L.P. Valve Conversion Kit	
M4734P3	67

M

Main Harness Assembly	
70204801	39
Main Remote Interface Harness Assembly	
70204501	31, 39
Male Tab Terminal	
00177	7
Manual Reset Thermostat	
M411945	57
70186301	61, 63
Manual Timer Control Kit	
M4694P3	13
M4724P3	13
Motor Capacitor	
70211401	55
70211501	57
70211502	55
Motor Channel	
70261701	55
Motor Mount Bracket	
70127301	55
Motor Pulley	
70284201	55
70284203	55
Mounting Bracket	
70179001	9
70179101	13
Mounting Plate	
70208801	23
Mounting Switch Base	
M412186	83, 85
M412187P	79, 81
Multiplier Assembly	
38571	15
Multiplier Harness Assembly	
431611	15

N

Nameplate	
44046801	39
44062901	39

N/A items do not appear in index.

Network Board Assembly	
210016P.....	33
Network Capacitor Harness Assembly	
M413878.....	75, 81
70286501.....	77, 85
Network Wire Harness Assembly	
800217.....	33
Nipple	
F420101.....	67
Nut	
M400022.....	53, 57
M400034.....	53, 57
M400979.....	59
M401548.....	65
M412986.....	55
M414215.....	37
Q6163.....	69
21899.....	51
23951.....	37
27222.....	55
29786.....	21, 27, 29, 45
29787.....	7, 19
29796.....	55
430576.....	47, 49
44087201.....	53
44088801.....	39
56156.....	55
70030401.....	49, 51
70054.....	7, 9, 13, 15, 17, 23, 31, 37, 45
70070401.....	55
70288801.....	49, 51
N.G. Valve	
70457301P.....	67
N.G. Valve Conversion Kit	
M4733P3.....	67

O

Opto Coupler	
200674P.....	25
Orifice Adapter	
70297801.....	65
70435901P.....	65
Orifice Holder Bracket	
70248901.....	65
Orifice Keeper Bracket	
70249001.....	65
O-Ring	
431482.....	67
Overlay	
70113601.....	15
70113901.....	15
70114401.....	13
70114601.....	39
70114701.....	45
70115101.....	45
70115201.....	45
70115301.....	45
70115401.....	39
70115501.....	9
70115701.....	17
70128101.....	13
70128201.....	9
70129301.....	15
70129401.....	15

70129501.....	15, 21
70129601.....	15, 21
70129801.....	15, 21
70129901.....	13
70135401.....	13
70135501.....	15
70135601.....	13
70135701.....	15
70136101.....	15
70136201.....	17
70136401.....	45
70136501.....	45
70136601.....	45
70136801.....	9
70137101.....	45
70184101.....	29
70184102.....	29
70184201.....	31
70235101.....	31
70239401.....	29
70239402.....	29
70243801.....	39
70257801.....	21
70257802.....	21
70258101.....	21
70258102.....	21
70258201.....	45
70261101.....	21
70261102.....	21
70261301.....	21
70275401.....	21
70283301.....	21
70283401.....	21
70285001.....	45
70286701.....	21
70286801.....	21
70304201.....	23
70321001.....	21
70335801.....	23
70336001.....	23
70412901.....	39

P

Panel Clip	
M406494.....	39
Partition Baffle	
70198801.....	51
70232601.....	49, 51
70232602.....	49, 51
70232701.....	49, 51
70232801.....	49, 51
PC Board Standoff	
210098.....	35
Pipe	
70262601.....	65
Pipe Clip	
70203701.....	63
Pipe Nipple	
70139601.....	67
Pipe Tee	
70267501.....	65
Pop Rivet	
M400003.....	9, 13, 15, 17, 29, 31, 39, 41
70058501.....	49, 51, 53, 65, 85
70058502.....	51

N/A items do not appear in index.

70126301	41
70126401	41
Potentiometer Mounting Bracket	
70108001	9, 13
Power Distribution Block Cover	
44014901P	85
Power Harness	
70108801P	73, 75, 79, 81
Power Harness Assembly	
70085001P	73, 75, 79, 81
70111701	73, 75, 79, 81
Pushbutton	
44018801	43
Pushbutton Switch	
M413431	73
70413301	15, 21, 23, 27, 29, 39, 41

R

Rear Cylinder Bearing Housing	
70013901	53
Rear Cylinder Channel	
70257101	53
Rear Cylinder Channel Plate	
70257201	53
Rear Cylinder Seal	
70013701P	53
Rear Cylinder Seal Support	
70017201	49, 51, 53
Rear Limit Harness	
70297001	63
Rear Panel	
70243401P	49
70243402	49
Rear Stabilizer Bracket	
70200301	57
Rear Valve Cover	
70282401	65
Relay	
M412534	7, 13
70210901P	73, 75
Remote Interface Harness Assembly	
70134401	15
Replacement Door Handle Kit	
70133501P	37
Replacement Top Pan	
70296901	49
Retaining Ring	
70023601	47, 51
Return Spring	
M405138B	11
Roller Bearing Assembly	
70298701P	47, 49, 51
Roller Shaft	
70232001	47
70249501	49, 51
Roller Support Bracket	
70231901	47
Rotary Drop Shroud	
70061701	9

S

Screw

M400044	37
M400056	55
M400661	37
M401938	59
M402797	7, 13
M402917	85
M405188	39, 63
M405824	73, 75, 79
M411072	39, 41, 73, 75, 77, 83
M412985	55
05161	61
23222	67
33562	79, 81, 83
38272	73, 79
39733	77, 85
430497	9, 13, 17, 33, 49, 51, 53, 55, 57, 59, 61, 63, 65, 67, 69, 79, 81, 85
430648	55
431484	67
44023301	37
44041301	13
501524	15, 17, 21, 23, 29, 31, 37
51778	73, 75
51780	73, 75, 77
61199	37
62588	53
70033502	37, 39, 41
70069901	39, 43
70118801	73
70126101	57
70182601	39, 41
70247701	51
Secondary Stove Limit Kit	
70299101	63
Shadow Box Clip	
M400972	39, 41
Side Panel	
70231801WP	51
70231801*P	49
Slot Card Plate Assembly	
44089501	23
Snap Bushing	
M400770	65
Solenoid Valve DIN Connector	
70370301P	71
Spark Electrode	
70032801P	61
Spud Adapter	
70223501	67
Start Switch	
70108501	9, 13
Steam Coil	
70231301P	71
Steam Jumper Assembly	
70113101	75, 81
Steam Valve	
F8322903	71
70351001P	71
Steam Valve Coil	
M412258	71
70205701P	71

N/A items do not appear in index.

Stove Back	
70183001	61
70297401	63
Stove Grill	
70214901	69
Support Bearing	
70448701	53
Switch	
M400947	11
431159	49, 51

T

Tee	
70071801	67
Temperature Bracket Assembly	
70288401	7
Temperature Kit	
70475001P	9, 13
Temperature Knob	
44020503	9, 13
44104601	9, 13
Terminal Block	
M412045P	83
M413865	77, 85
430642	73, 75
70120001	79, 81
Terminating Resistor	
210162	35
Thermistor	
M414704	57
Thermistor Cover	
70112801	57, 63
Thermostat Module	
431347P	9, 13
Timer	
M412079P	13
70131701P	13
70131801P	13
Timer Control Assembly	
70175301P	9, 13
Timer Knob	
70082101	13
Timer Motor	
70218201	11
70218301	11
Timing Cam	
M400732P	11
M400733P	11
M400734P	11
M400735P	11
M400736P	11
M400737P	11
M400738P	11
M400739P	11
M400740P	11
M400741P	11
Transformer	
M414228P	73, 75, 77, 79, 81
M414229P	73, 75, 77, 79, 81, 83
M414230P	73, 75
M414312P	73, 75
Trunion and Seal Kit	
M4960P3	53

Tube	
70281601	65
Tumbler Dolly Kit	
M4379P4	39

U

Union	
H86000031	67
Upper Front Panel Assembly	
70176002P	39
70176003*P	39
70176004P	39
70391301WP	39

V

Valve Bracket and Cover Kit	
M4746P3	61, 63
Valve Coil Bracket	
70260601	67

W

Washer	
M400991	53, 57
M405535	9
70017401	55
70265901	55
70270301	55
70292801	27
Wire Guard	
201595P	25

N/A items do not appear in index.